

4

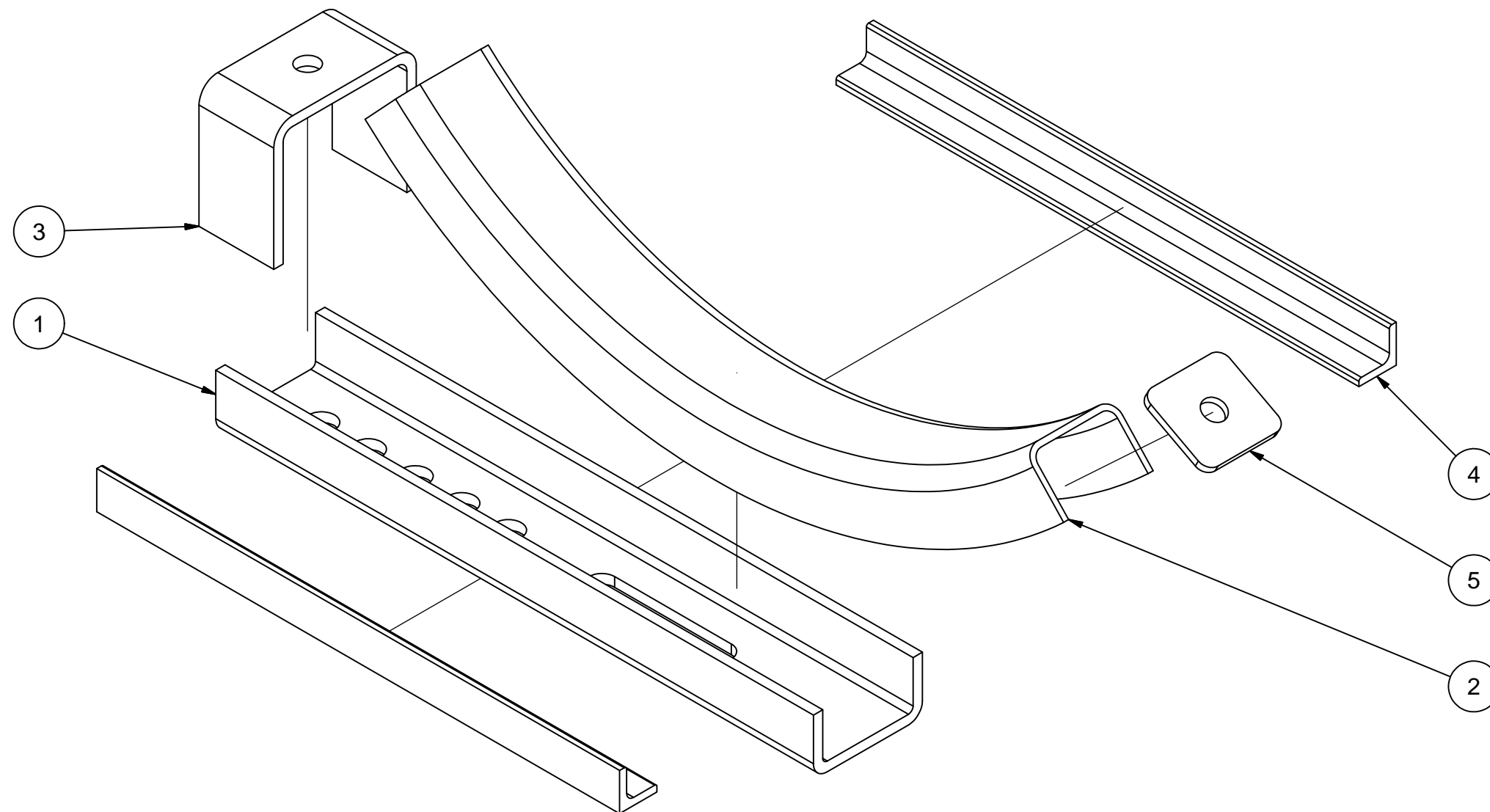
3

2

1

Parts List			
ITEM	QTY	PART NUMBER	DESCRIPTION
1	1	JB-BASE_02	1/4" HRPO BASE
2	1	JB-CRADLE_02	10 GA HRPO CRADLE SECTION
3	1	JB-HORSESHOE_02	1/4" X 2" HRPO HOESHOE
4	2	JB-SIDERAIL_02	1" X 1" X 3/16" ANGLE
5	1	JB-ANCHOR_02	7 GA HRPO GUSSET

POWDER COAT BLACK FINISH



DATE	SYM.	DESCRIPTION	BY
7-2-12	C	UPDATE IDW AND PRESENTATION	BPK

REVISIONS

AMERICAN MOBILE POWER PH: (800) 634-8265 FAX: (765) 948-3403	DRAWING BY: MRH	DESIGN FOR: A.M.P.	FILE NAME: J-BRACKET_02	
	COMPLETED: 9/11/2000		SHEET: 1 of 7	SHEET SIZE: B

4

3

2

1

B

B

A

A

4

3

2

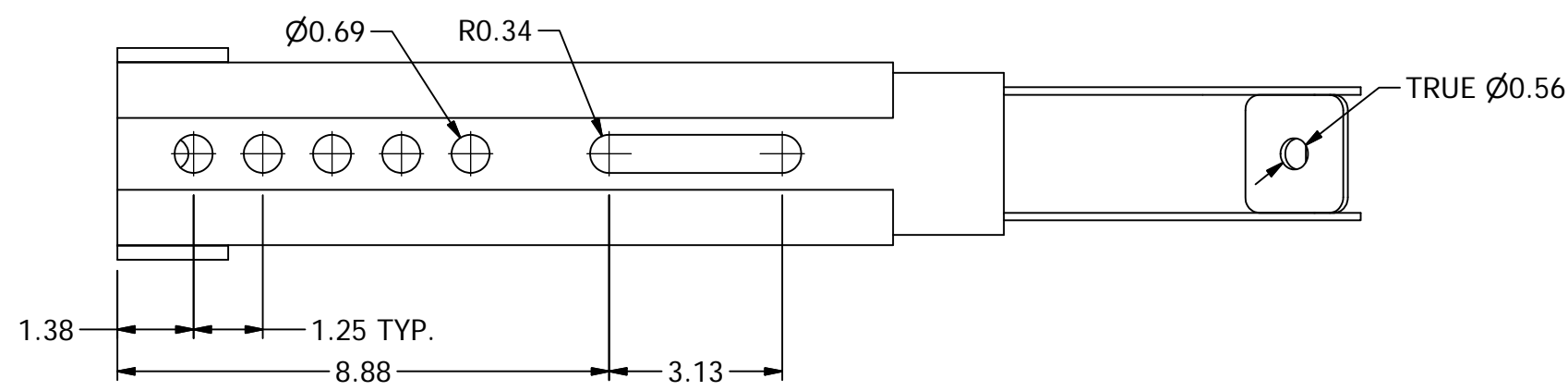
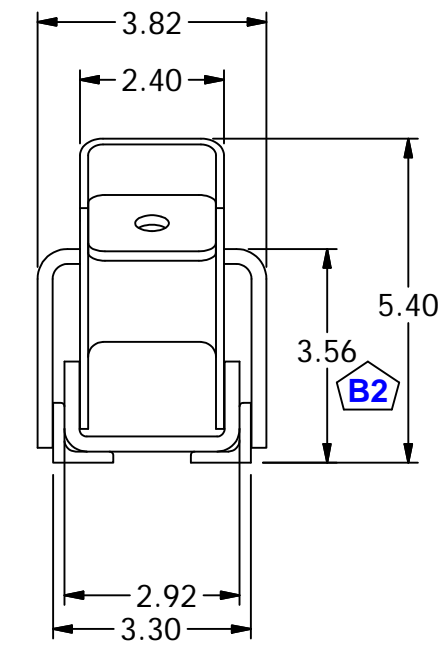
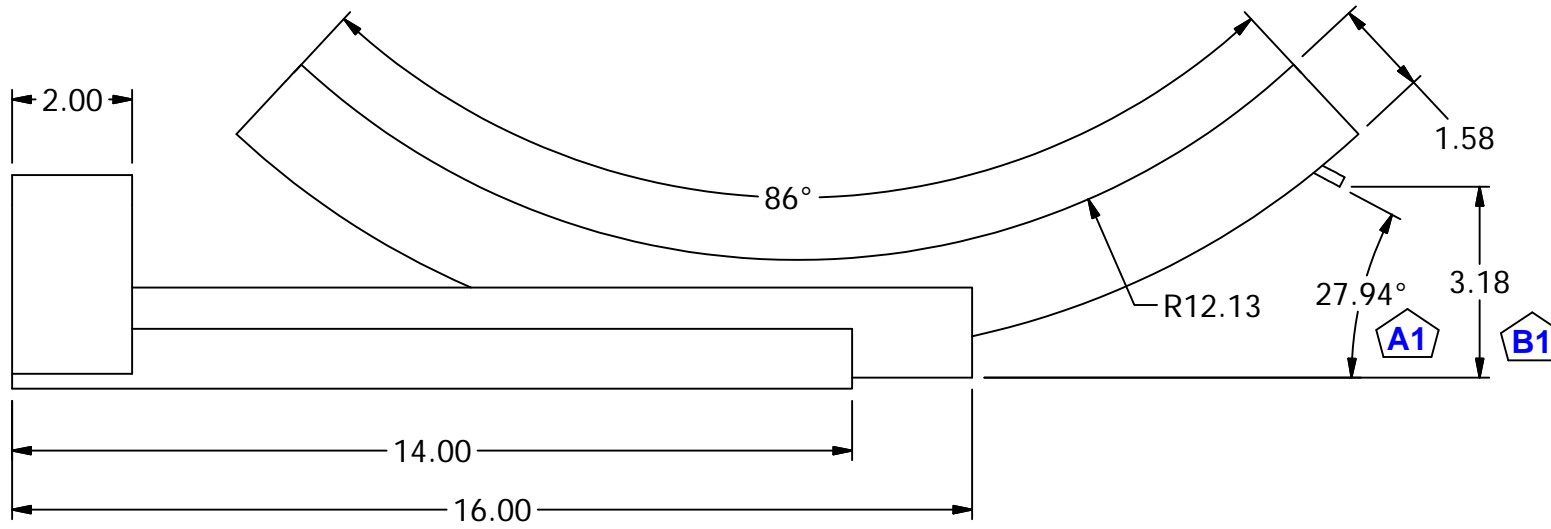
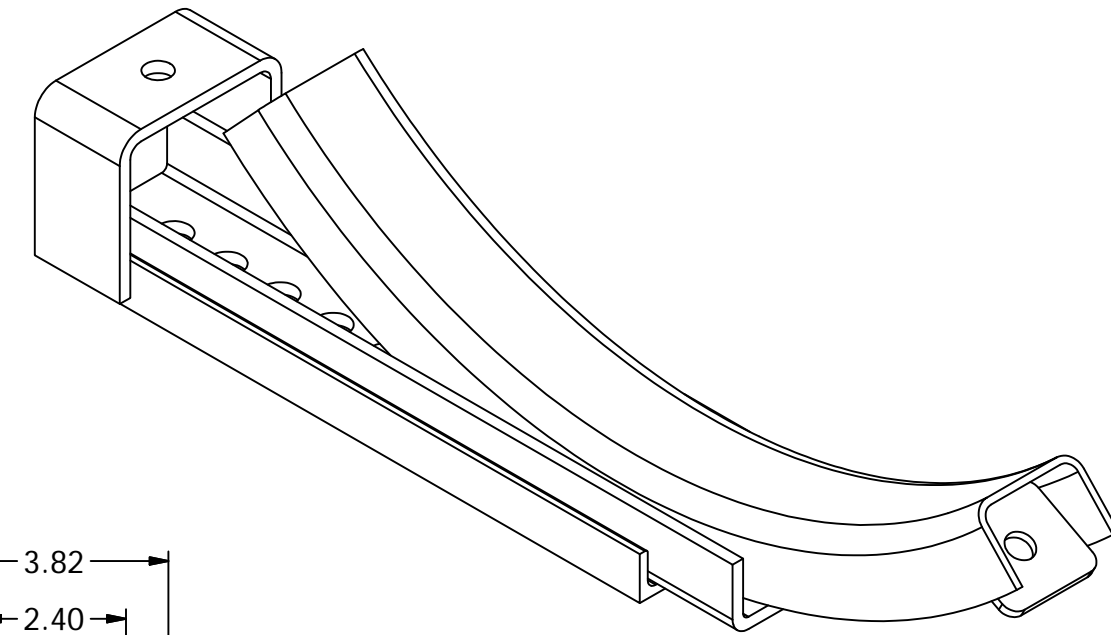
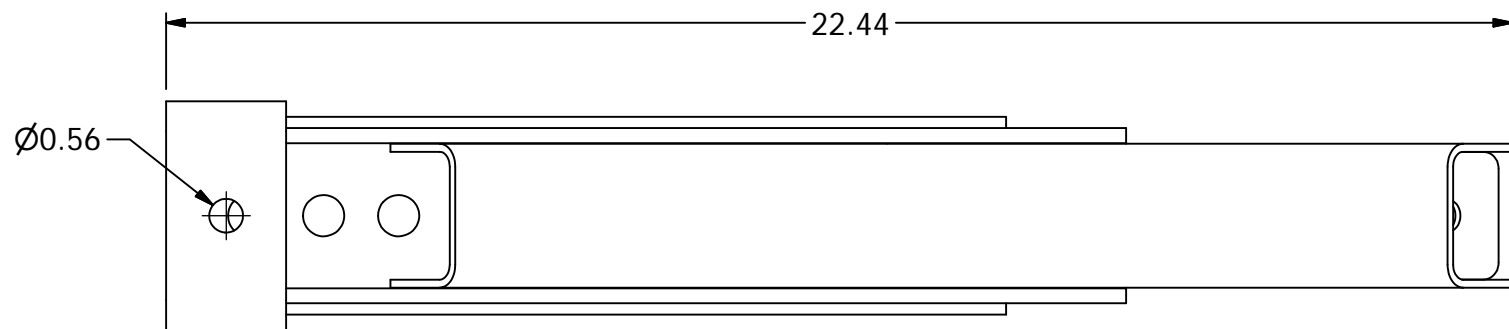
1

B

B

A

A



REVISIONS			
DATE	SYM.	DESCRIPTION	BY
12-28-05	B	1) WAS 25 deg.; 2) WAS 3.29	BPK
2-15-06	A	WAS 3.48; CHANGED w/NEW HRSESHOE DIE	BPK

AMERICAN MOBILE POWER PH: (800) 634-8265 FAX: (765) 948-3403	DRAWING BY: MRH	DESIGN FOR: A.M.P.	FILE NAME: J-BRACKET_02	
	COMPLETED: 9/11/2000		SHEET: 2 of 7	SHEET SIZE: B

4

3

2

1