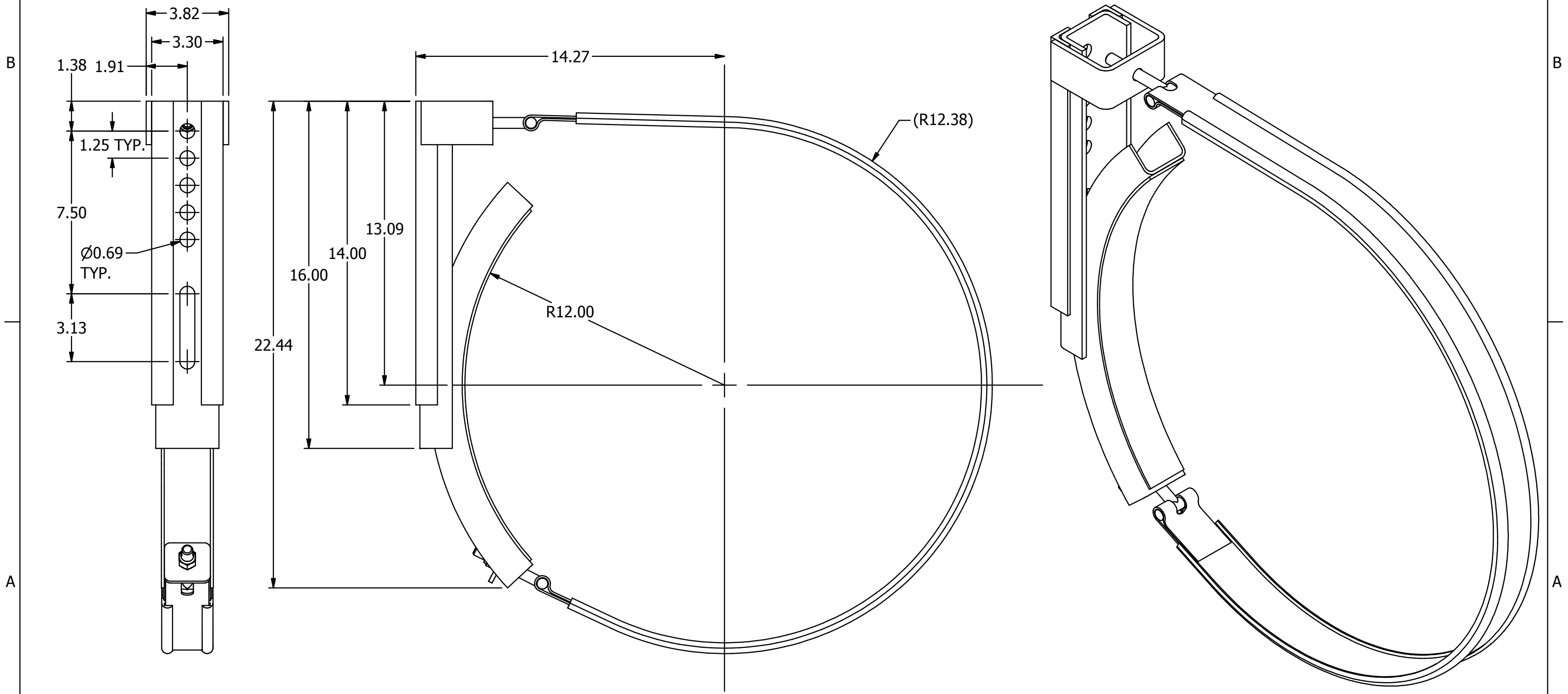
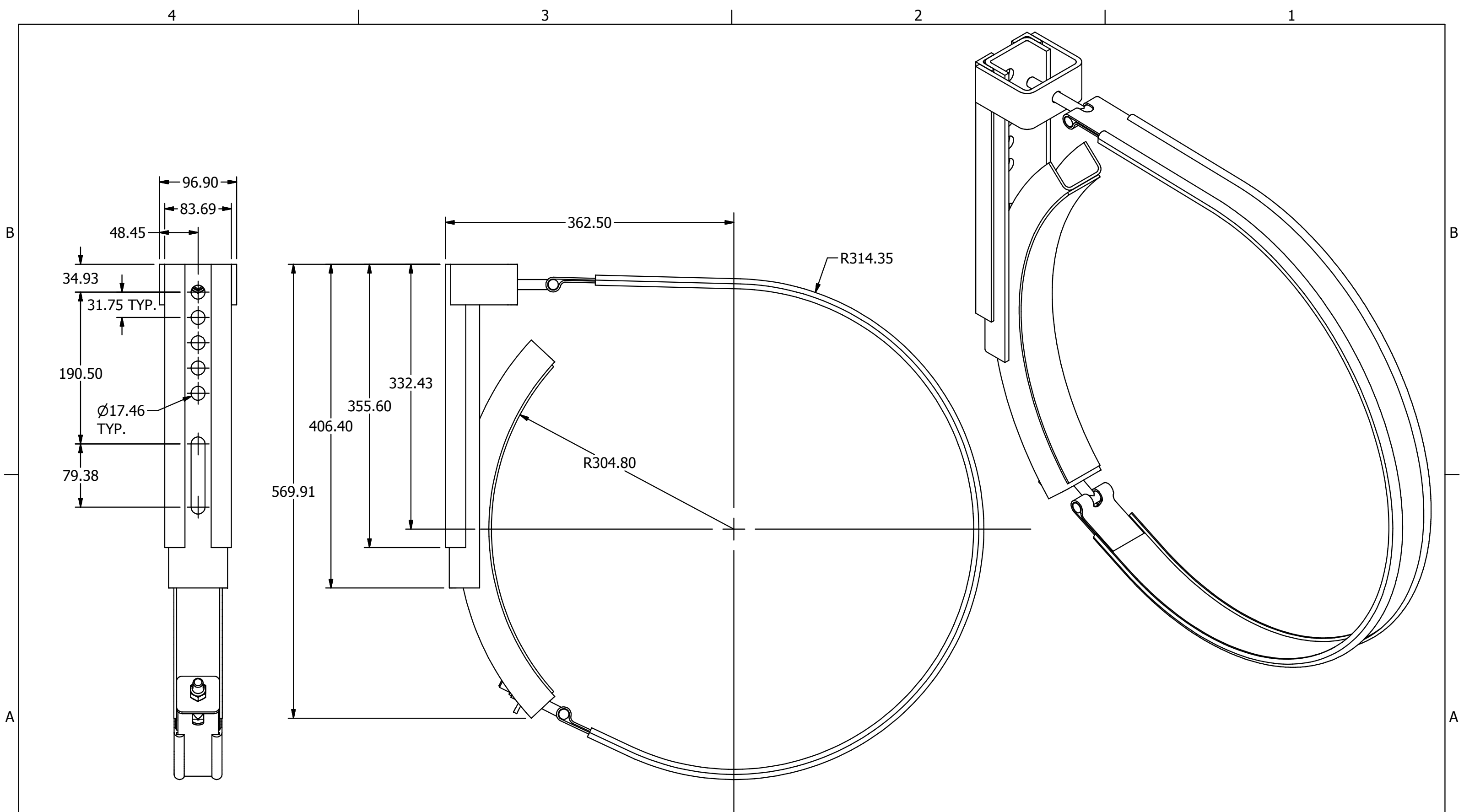


Parts List				
ITEM	QTY	PART NUMBER	STOCK NUMBER	DESCRIPTION
1	1	J-BRACKET		WELDMENT: SADDLE MOUNTING BRACKET
2	1	ASA-6357-C		CARBON STRAP ASSEMBLY
3	1	JB-RUBBER	AMP-305	1/8 x 2 x 17.5 RUBBER w/ ADHESIVE BACKING



<b>AMERICAN MOBILE POWER</b> PH: (800) 634-8265 FAX: (765) 948-3403	DRAWING BY: <b>BPKNIGHT</b>	DESIGN FOR: <b>AMP</b>	FILE NAME: <b>AMK-624-C-1</b>	
	COMPLETED: <b>8/16/2007</b>		SHEET: <b>1 of 2</b>	SHEET SIZE: <b>B</b>



<b>AMERICAN MOBILE POWER</b> <small>PH: (800) 634-8265 FAX: (765) 948-3403</small>	DRAWING BY: <b>BPKNIGHT</b>	DESIGN FOR: <b>AMP</b>	FILE NAME: <b>AMK-624-C-1</b>	
	COMPLETED: <b>8/16/2007</b>		SHEET: <b>2 of 2</b>	SHEET SIZE: <b>B</b>