

4

3

2

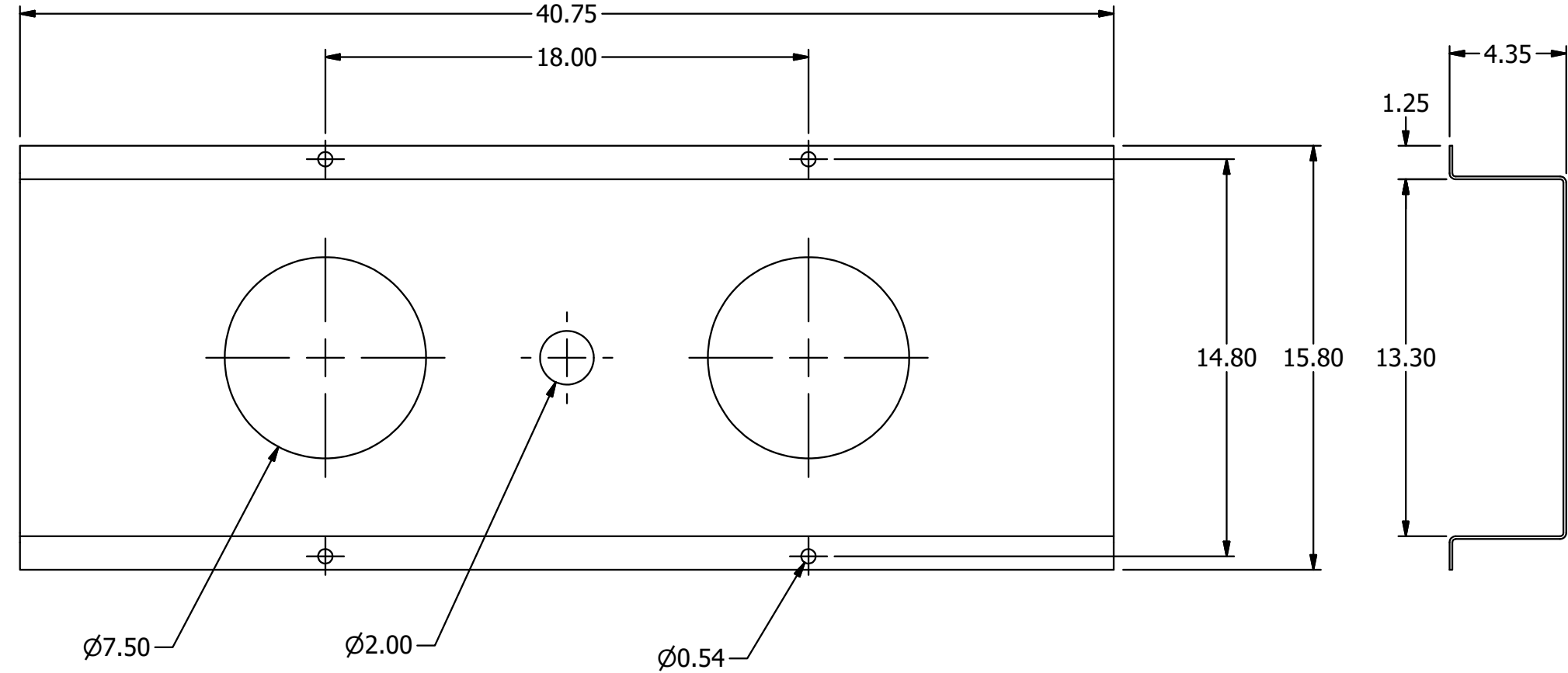
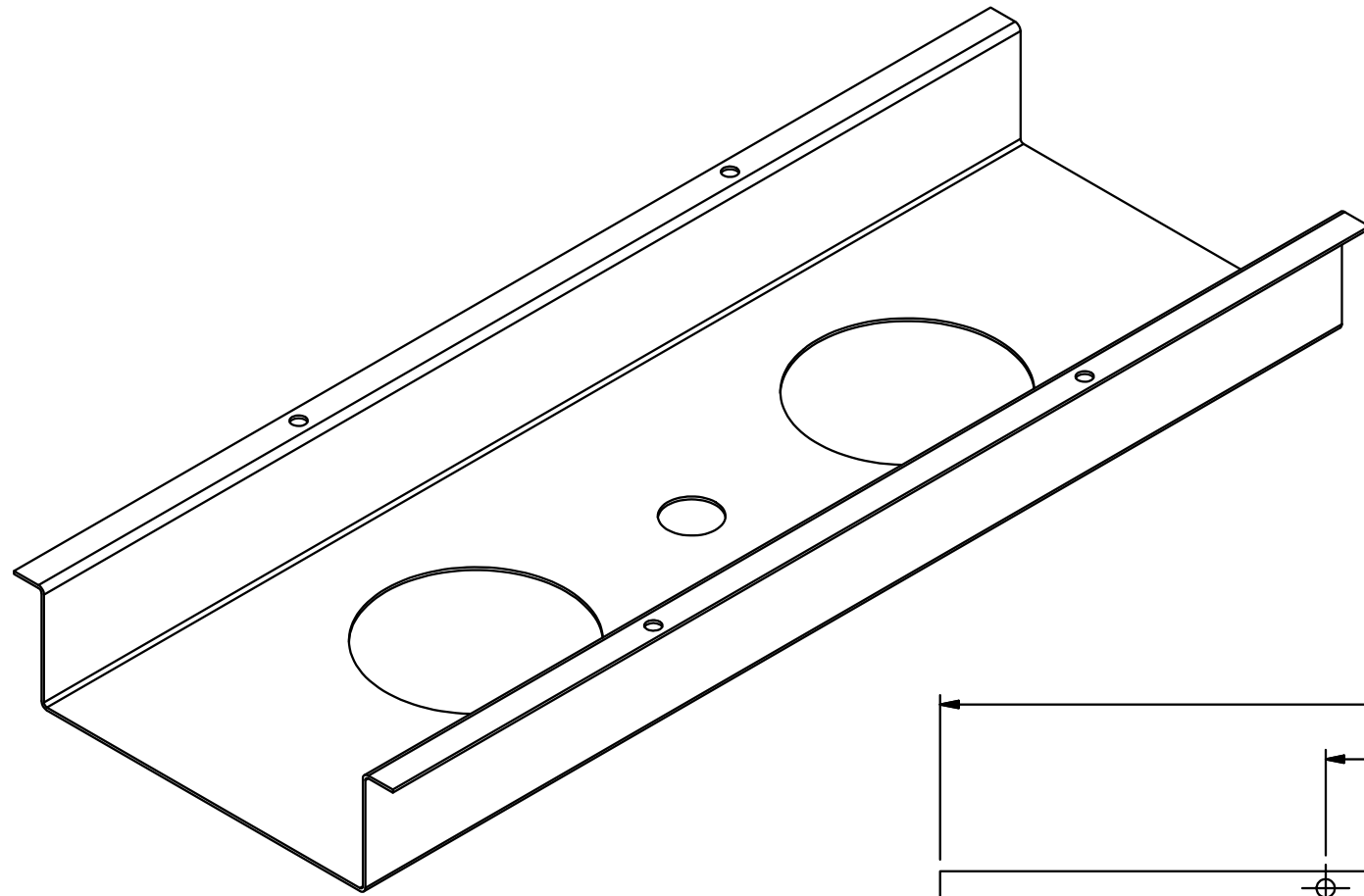
1

Parts List

| ITEM | QTY | PART NUMBER | DESCRIPTION |
|------|-----|-------------|-----------------|
| 1 | 1 | AMB-405HD | 12 GA HRPO BASE |

NOTES:

- POWDER COAT BLACK
- REMOVE BURRS & SHARP EDGES



| | | | | |
|--|-------------------------|--------------------|-------------------------|------------------|
| AMERICAN MOBILE POWER PH: (800) 634-8265 FAX: (765) 948-3403 | DRAWIND BY: ALH | DESIGN FOR: AMP | FILE NAME: AMB-405HD | |
| | COMPLETED: 10/8/2002 | | SHEET: 1 of 2 | SHEET SIZE: B |

4

3

2

1

B

B

A

A