

4

3

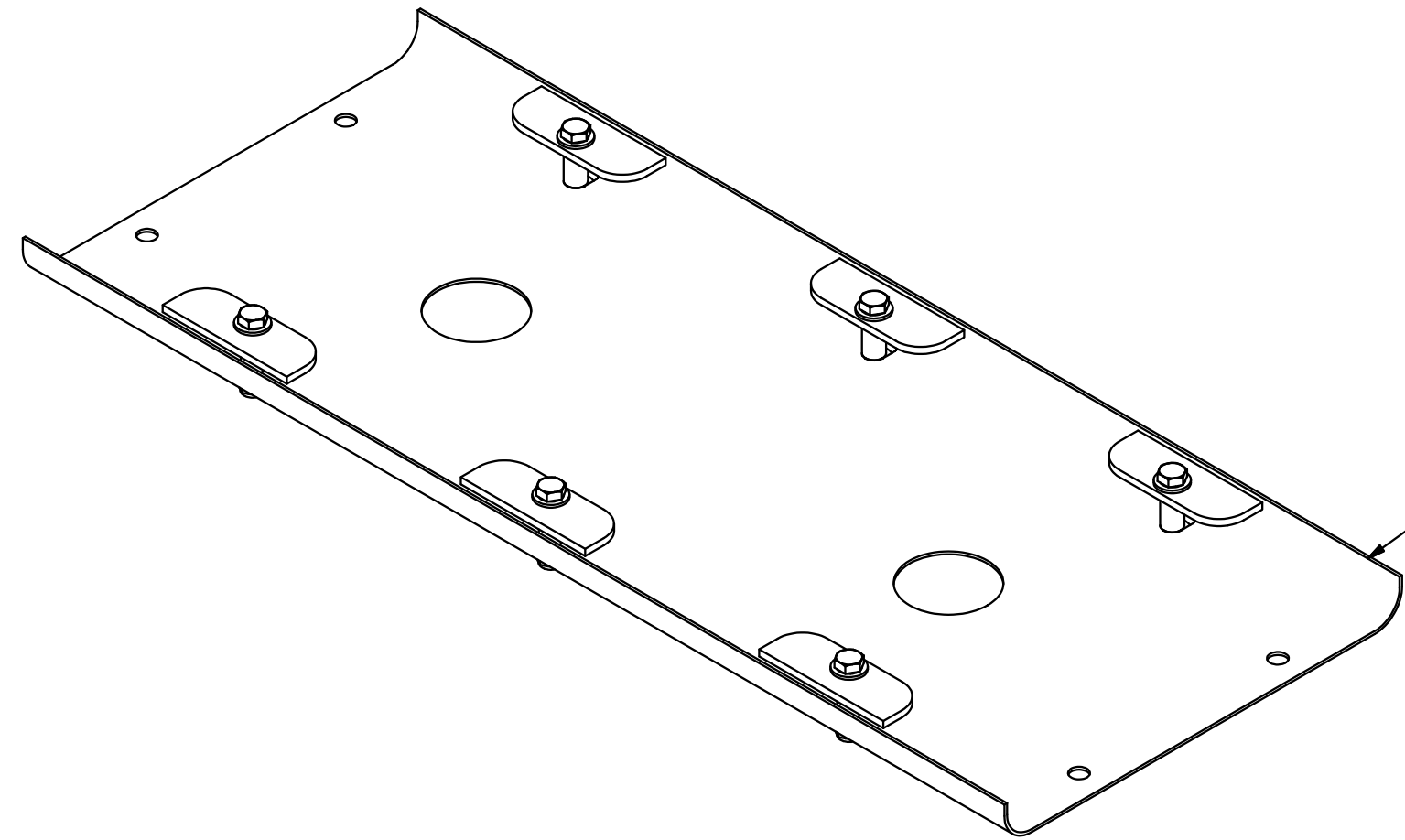
2

1

Parts List

ITEM	QTY	PART NUMBER	DESCRIPTION	Fab Qty
1	1	N_AMB-312B	12 HRPO MOUNTING BASE	
2	6	AMB-312K	CLAMP KIT	
2.1	1	37030	1/2 Std NC Nylock Nut	
2.2	1	13213	1/2-13 UNC x 2.5 Hex Cap Screw	
2.3	2	33086	FlatWasher 1/2" Zinc 0.531 ID x 1.062 OD x 0.095 Thk	
2.4	1	N_AMB-312C	1/4 x 1 3/4 FLAT HRPO CLAMP	
2.5	1	N_AMB-312S	TUBE, DOM, 11/16 OD x 14 ga 1020	

B

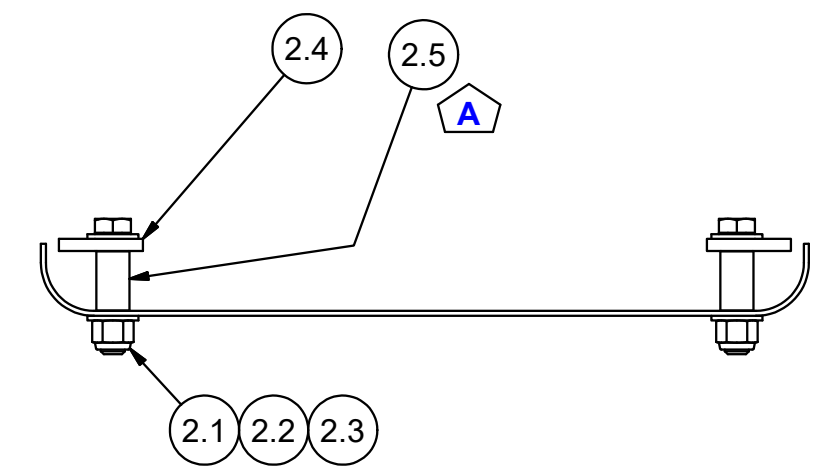
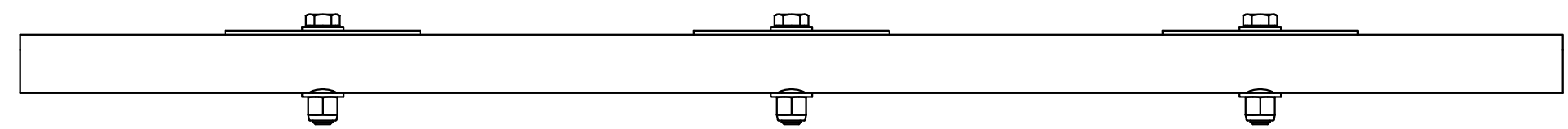


NOTES:
 -POWDER COAT BLACK
 -APPLY RUST INHIBITOR INSIDE
 -PLUG ALL PORTS FOR SHIPMENT

MODELED WEIGHT: 23.20 lbs
 NOT INCLUDED: BOLTS, WASHERS, NUTS.

B

A



A

6-28-16	A	TUBE WAS 5/8 OD x 18 ga W 1010 FI	BPK
DATE	SYM.	DESCRIPTION	BY

REVISIONS

AMERICAN MOBILE POWER PH: (800) 634-8265 FAX: (765) 948-3403	DRAWING BY: BPKNIGHT	DESIGN FOR: AMP	FILE NAME: AMB-312	
	COMPLETED: 8/17/2007		SHEET: 1 of 5	SHEET SIZE: B

4

3

2

1