

4

3

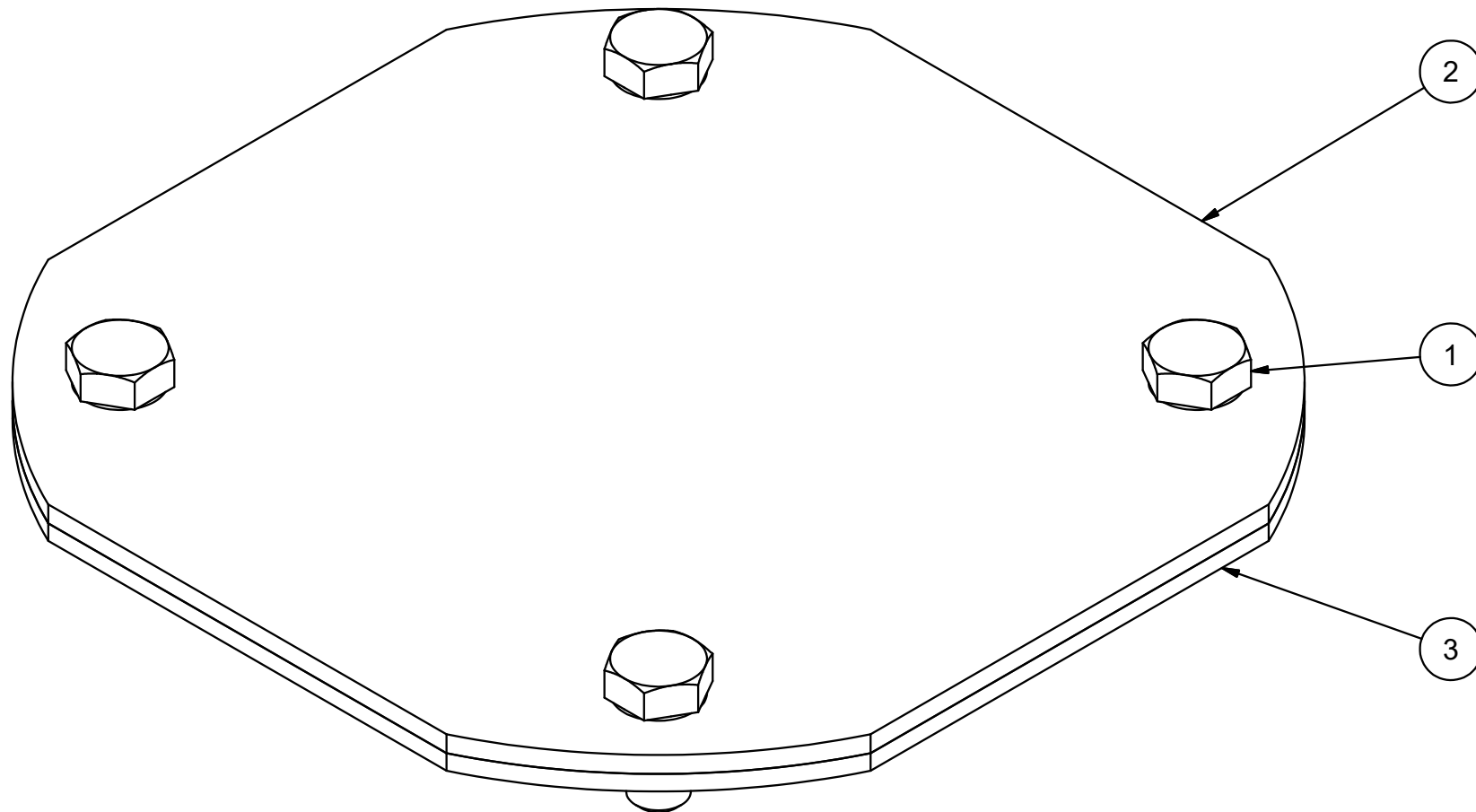
2

1

| Parts List | | | | |
|------------|-----|----------------|----------|---------------------------------|
| ITEM | QTY | PART NUMBER | VENDOR | DESCRIPTION |
| 1 | 4 | 13103 | FASTENAL | 3/8-16 UNC x 0.75 Hex Cap Screw |
| 2 | 1 | AFC-507-4F-SSC | AMP | 10 GA 304L SS COVER FILTER |
| 3 | 1 | AFC-507-4FG | AMP | .125 NEOPRENE GASKET FILTER |

B

B



A

A

FOR Ø7.5 FLANGE w/Ø6.25 B.C.

| | | | | |
|----------------------------------------------------------------------------|--------------------------------|---------------------------|------------------------------------|-------------------------|
| AMERICAN MOBILE POWER PH: (800) 634-8265 FAX: (765) 948-3403 | DRAWING BY: BPKNIGHT | DESIGN FOR: AMP | FILE NAME: AFC-507-4F-SS | |
| | COMPLETED: 4/2/2019 | | SHEET: 1 of 3 | SHEET SIZE: B |

4

3

2

1

USE:
 PARTS\NESTS\
 AFC-507-4FC on 96x48 MACH. No 8861
 DATE POSTED : 3-5-2019

THIS NEST CONTAINS THE FOLLOWING PARTS:

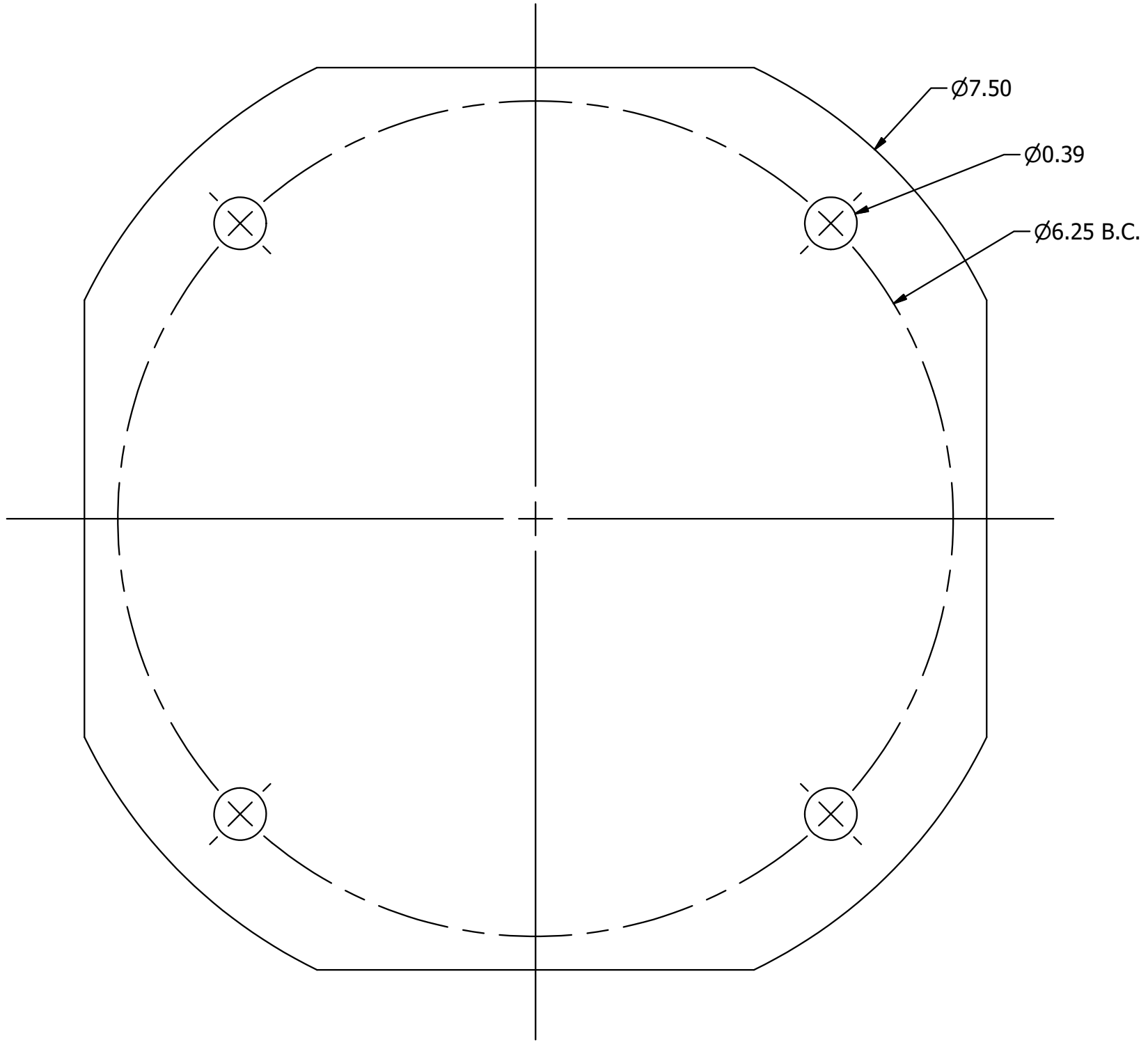
| PART NAME | QUANTITY |
|-----------|----------|
|-----------|----------|

| | |
|-------------|----|
| AFC-507-4FC | 98 |
|-------------|----|

TOTAL NUMBER OF PARTS = 98
 THICKNESS FOR FLAT CALCULATION = 0.135
 MATERIAL : 1008 HRPO
 BLANK SIZE: X = 96. Y = 48.
 BLANK INCLUDES TRIM STRIP OF : 0.125
 LEFT BORDER OF : 0.125
 UPPER BORDER OF : 0.445
 RIGHT BORDER OF : 0.985

-REMOVE ALL BURRS
 -STANDARD FINISH: 2B

| Parts List | | | |
|------------|-----|----------------|----------------------------|
| ITEM | QTY | PART NUMBER | DESCRIPTION |
| 1 | 1 | AFC-507-4F-SSC | 10 GA 304L SS COVER FILTER |



USE:
 PARTS\
 AFC-507-4FC MACH. No 8861
 DATE POSTED : 3-5-2019
 NUMBER OF PIECES ON THIS BLANK = 1
 THICKNESS FOR FLAT CALCULATION = 0.135
 MATERIAL : 1008 HRPO
 BLANK SIZE: X = 7. Y = 7.
 BLANK INCLUDES TRIM STRIP OF : 0.125
 LEFT BORDER OF : 0.125
 UPPER BORDER OF : 0.125
 RIGHT BORDER OF : 0.125

| | | | | |
|-------------------------------------------------------------------------------------|-------------------------|--------------------|-----------------------------|------------------|
| AMERICAN MOBILE POWER PH: (800) 634-8265 FAX: (765) 948-3403 | DRAWING BY: BPKNIGHT | DESIGN FOR: AMP | FILE NAME: AFC-507-4F-SS | |
| | COMPLETED: 4/2/2019 | | SHEET: 2 of 3 | SHEET SIZE: B |

PARTS\NESTS\
 AFC-507-4FG 120x36 MACH. No 8861
 DATE POSTED : 3-5-2019
 THIS NEST CONTAINS THE FOLLOWING PARTS:

| PART NAME | QUANTITY |
|-------------|----------|
| AFC-507-4FG | 85 |

 TOTAL NUMBER OF PARTS = 85
 THICKNESS FOR FLAT CALCULATION = 0.125
 MATERIAL : NEOPRENE RUBBER
 BLANK SIZE: X = 120. Y = 36.
 BLANK INCLUDES TRIM STRIP OF : 1.065
 LEFT BORDER OF : 2.385
 UPPER BORDER OF : 1.065
 RIGHT BORDER OF : 2.385

PARTS\NESTS\
 AFC-507-4FG 96x36 MACH. No 8861
 DATE POSTED : 3-5-2019
 THIS NEST CONTAINS THE FOLLOWING PARTS:

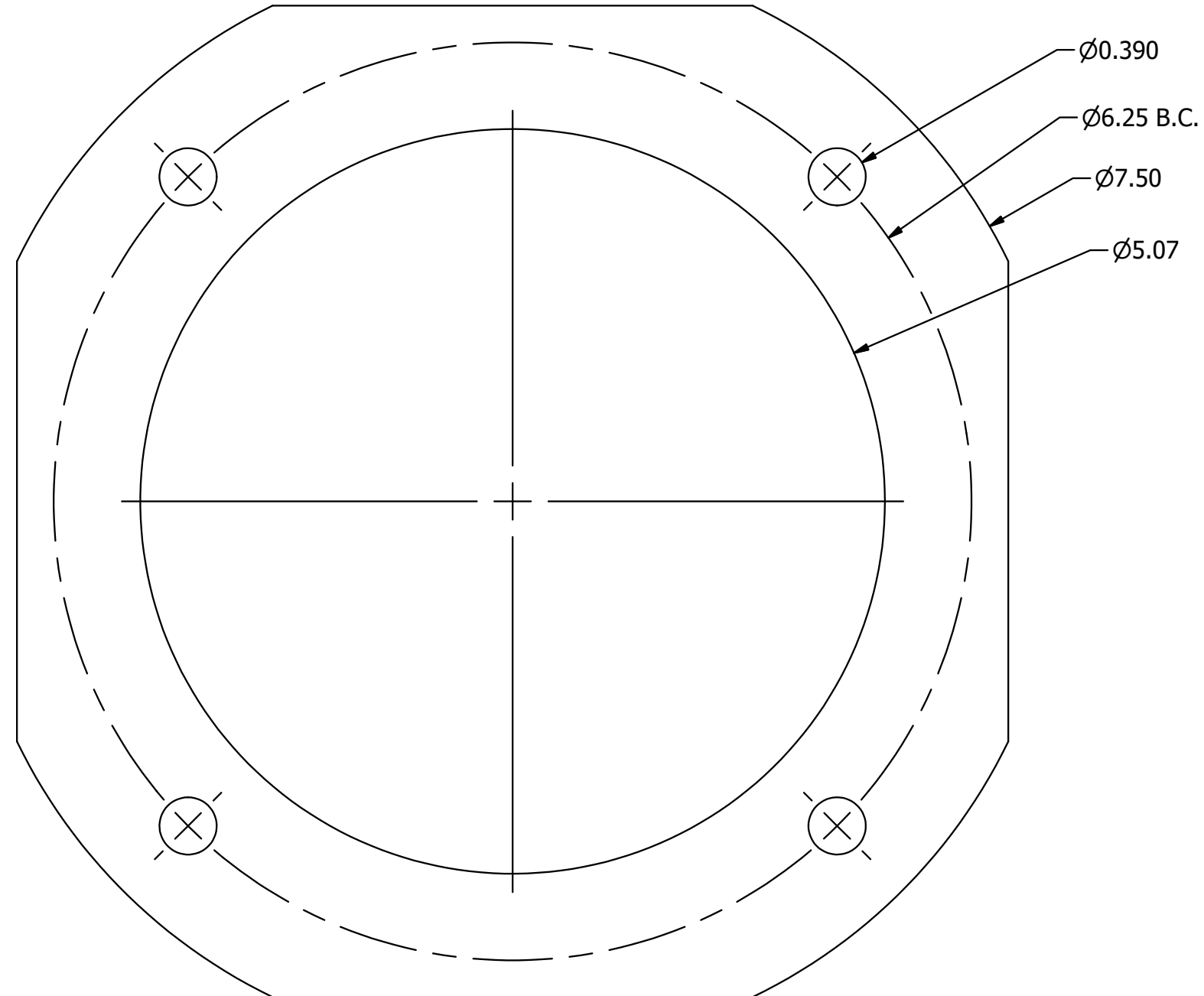
| PART NAME | QUANTITY |
|-------------|----------|
| AFC-507-4FG | 70 |

 TOTAL NUMBER OF PARTS = 70
 THICKNESS FOR FLAT CALCULATION = 0.125
 MATERIAL : NEOPRENE RUBBER
 BLANK SIZE: X = 96. Y = 36.
 BLANK INCLUDES TRIM STRIP OF : 1.065
 LEFT BORDER OF : 0.555
 UPPER BORDER OF : 1.065
 RIGHT BORDER OF : 0.555

PARTS\
 AFC-507-4FG MACH. No 8861
 DATE POSTED : 3-5-2019
 NUMBER OF PIECES ON THIS BLANK = 1
 THICKNESS FOR FLAT CALCULATION = 0.125
 MATERIAL : NEOPRENE RUBBER
 BLANK SIZE: X = 7. Y = 7.
 BLANK INCLUDES TRIM STRIP OF : 0.125
 LEFT BORDER OF : 0.125
 UPPER BORDER OF : 0.125
 RIGHT BORDER OF : 0.125

ALL PROGRAMS IN **PARTS** FOLDER

| Parts List | | | |
|------------|-----|-------------|-----------------------------|
| ITEM | QTY | PART NUMBER | DESCRIPTION |
| 1 | 1 | AFC-507-4FG | .125 NEOPRENE GASKET FILTER |



| | | | | |
|----------------------------------------------------------------------------|--------------------------------|---------------------------|------------------------------------|-------------------------|
| AMERICAN MOBILE POWER PH: (800) 634-8265 FAX: (765) 948-3403 | DRAWING BY: BPKNIGHT | DESIGN FOR: AMP | FILE NAME: AFC-507-4F-SS | |
| | COMPLETED: 4/2/2019 | | SHEET: 3 of 3 | SHEET SIZE: B |