

4

3

2

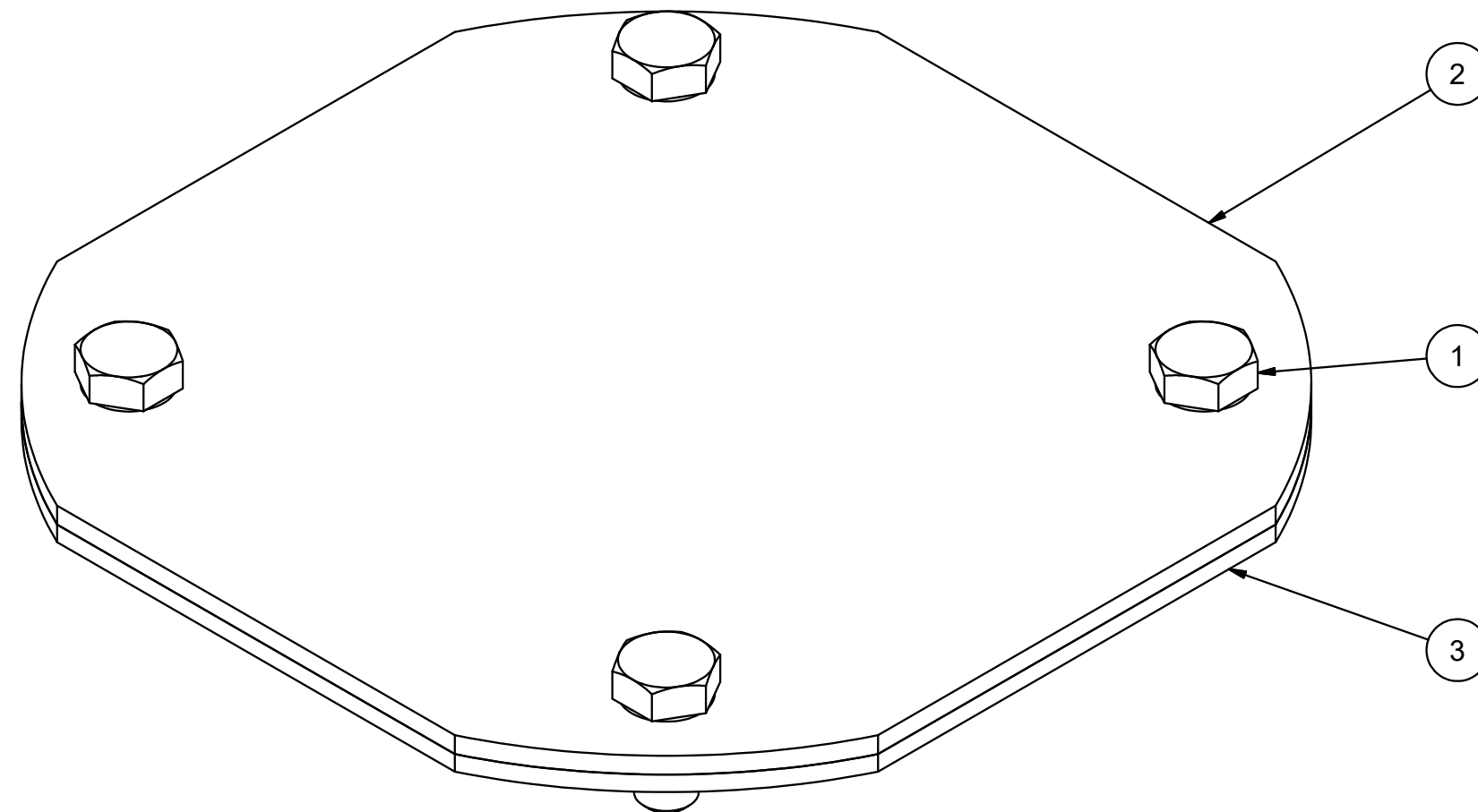
1

Parts List

ITEM	QTY	PART NUMBER	VENDOR	DESCRIPTION
1	4	13103	FASTENAL	3/8-16 UNC x 0.75 Hex Cap Screw
2	1	AFC-507-4FC	AMP	10 GA HRPO COVER FILTER
3	1	AFC-507-4FG	AMP	.125 NEOPRENE GASKET FILTER

B

B



A

A

FOR Ø7.5 FLANGE w/Ø6.25 B.C.

<b>AMERICAN MOBILE POWER</b> PH: (800) 634-8265 FAX: (765) 948-3403	DRAWING BY: BPKNIGHT	DESIGN FOR: AMP	FILE NAME: AFC-507-4F	
	COMPLETED: 3/5/2019		SHEET: 1 of 3	SHEET SIZE: B

4

3

2

1

4

3

2

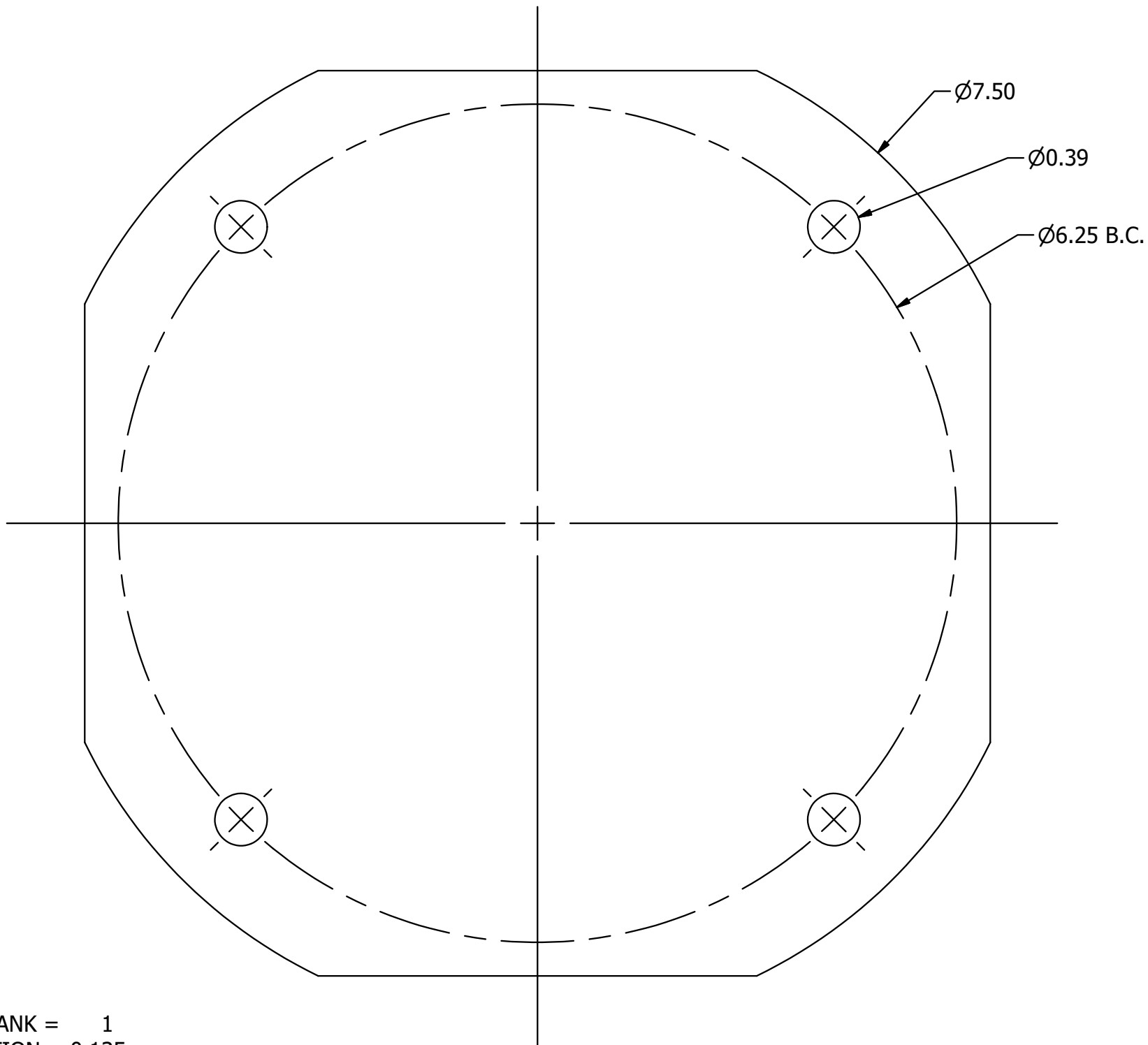
1

PARTS\  
 AFC-507-4FC on 96 x 48 MACH. No 9160  
 DATE POSTED : 1-28-2020  
 NUMBER OF PIECES ON THIS BLANK = 78  
 THICKNESS FOR FLAT CALCULATION = 0.135  
 MATERIAL : 1008 HRPO  
 BLANK SIZE: X = 96. Y = 48.  
 BLANK INCLUDES TRIM STRIP OF : 0.5  
 LEFT BORDER OF : 0.5  
 UPPER BORDER OF : 4.5  
 RIGHT BORDER OF : 1.75

-REMOVE ALL BURRS  
 -STANDARD FINISH: POWDER COAT  
 --OPTIONAL FINISH: ZINC CHROMATE

Parts List			
ITEM	QTY	PART NUMBER	DESCRIPTION
1	1	AFC-507-4FC	10 GA HRPO COVER FILTER

B PARTS\  
 AFC-507-4FC MACH. No 9160  
 DATE POSTED : 1-28-2020  
 NUMBER OF PIECES ON THIS BLANK = 1  
 THICKNESS FOR FLAT CALCULATION = 0.135  
 MATERIAL : 1008 HRPO  
 BLANK SIZE: X = 7.25 Y = 7.25  
 BLANK INCLUDES TRIM STRIP OF : 0.25  
 LEFT BORDER OF : 0.25  
 UPPER BORDER OF : 0.25  
 RIGHT BORDER OF : 0.25



A PARTS\NESTS\  
 AFC-507-4FC on 96x48 MACH. No 8861  
 DATE POSTED : 3-5-2019  
 THIS NEST CONTAINS THE FOLLOWING PARTS:

PART NAME	QUANTITY
AFC-507-4FC	98
*****	
TOTAL NUMBER OF PARTS =	98
THICKNESS FOR FLAT CALCULATION =	0.135
MATERIAL :	1008 HRPO
BLANK SIZE: X = 96. Y = 48.	
BLANK INCLUDES TRIM STRIP OF :	0.125
LEFT BORDER OF :	0.125
UPPER BORDER OF :	0.445
RIGHT BORDER OF :	0.985

PARTS\  
 AFC-507-4FC MACH. No 8861  
 DATE POSTED : 3-5-2019  
 NUMBER OF PIECES ON THIS BLANK = 1  
 THICKNESS FOR FLAT CALCULATION = 0.135  
 MATERIAL : 1008 HRPO  
 BLANK SIZE: X = 7. Y = 7.  
 BLANK INCLUDES TRIM STRIP OF : 0.125  
 LEFT BORDER OF : 0.125  
 UPPER BORDER OF : 0.125  
 RIGHT BORDER OF : 0.125

<b>AMERICAN MOBILE POWER</b> PH: (800) 634-8265 FAX: (765) 948-3403	DRAWING BY: BPKNIGHT	DESIGN FOR: AMP	FILE NAME: AFC-507-4F	
	COMPLETED: 3/5/2019		SHEET: 2 of 3	SHEET SIZE: B

4

3

2

1

PARTS\NESTS\  
 AFC-507-4FG 120x36 MACH. No 8861  
 DATE POSTED : 3-5-2019  
 THIS NEST CONTAINS THE FOLLOWING PARTS:

PART NAME	QUANTITY
AFC-507-4FG	85

\*\*\*\*\*

TOTAL NUMBER OF PARTS = 85  
 THICKNESS FOR FLAT CALCULATION = 0.125  
 MATERIAL : NEOPRENE RUBBER  
 BLANK SIZE: X = 120. Y = 36.  
 BLANK INCLUDES TRIM STRIP OF : 1.065  
 LEFT BORDER OF : 2.385  
 UPPER BORDER OF : 1.065  
 RIGHT BORDER OF : 2.385

PARTS\NESTS\  
 AFC-507-4FG 96x36 MACH. No 8861  
 DATE POSTED : 3-5-2019  
 THIS NEST CONTAINS THE FOLLOWING PARTS:

PART NAME	QUANTITY
AFC-507-4FG	70

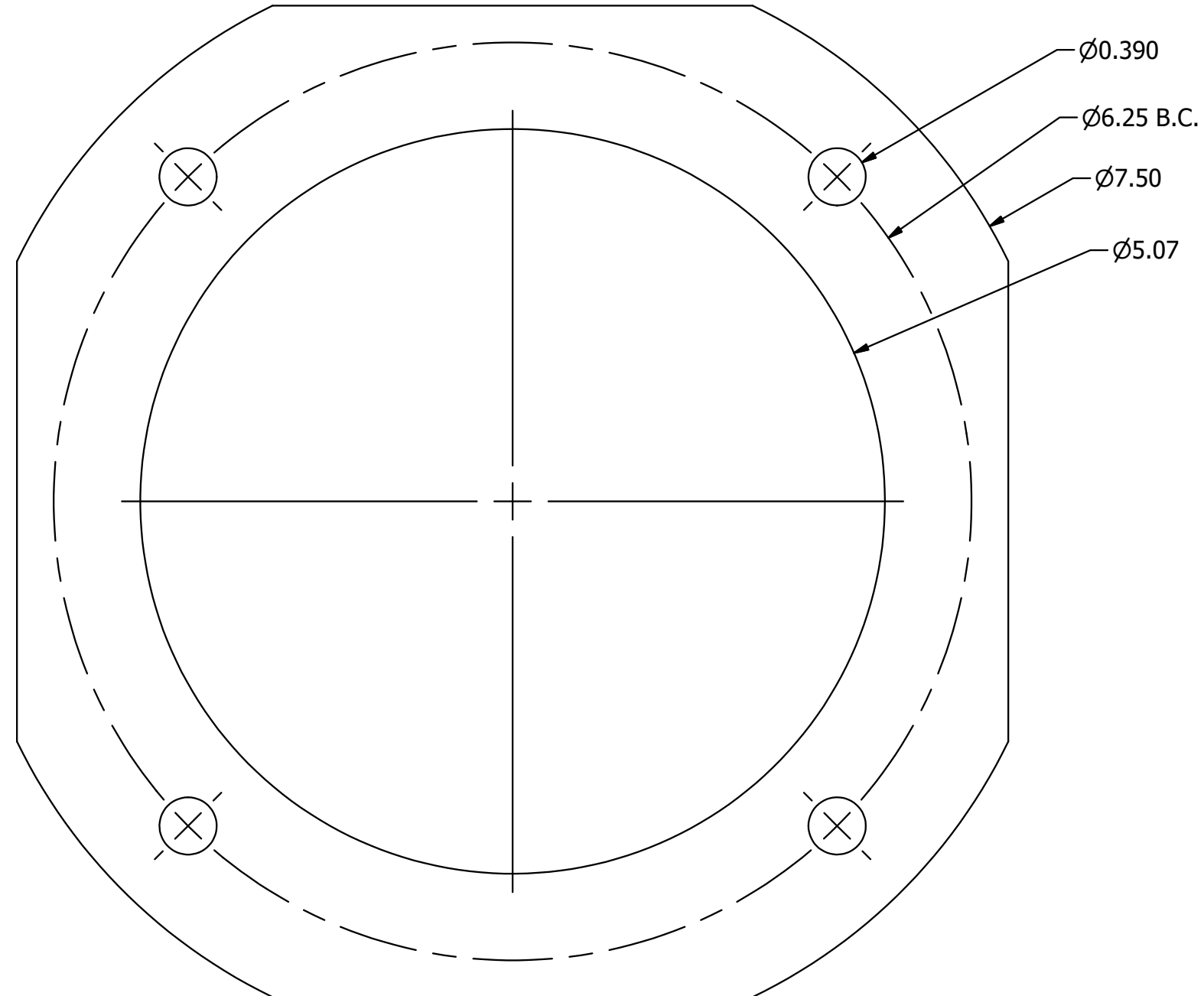
\*\*\*\*\*

TOTAL NUMBER OF PARTS = 70  
 THICKNESS FOR FLAT CALCULATION = 0.125  
 MATERIAL : NEOPRENE RUBBER  
 BLANK SIZE: X = 96. Y = 36.  
 BLANK INCLUDES TRIM STRIP OF : 1.065  
 LEFT BORDER OF : 0.555  
 UPPER BORDER OF : 1.065  
 RIGHT BORDER OF : 0.555

PRTS\  
 AFC-507-4FG MACH. No 8861  
 DATE POSTED : 3-5-2019  
 NUMBER OF PIECES ON THIS BLANK = 1  
 THICKNESS FOR FLAT CALCULATION = 0.125  
 MATERIAL : NEOPRENE RUBBER  
 BLANK SIZE: X = 7. Y = 7.  
 BLANK INCLUDES TRIM STRIP OF : 0.125  
 LEFT BORDER OF : 0.125  
 UPPER BORDER OF : 0.125  
 RIGHT BORDER OF : 0.125

ALL PROGRAMS IN **PARTS** FOLDER

Parts List			
ITEM	QTY	PART NUMBER	DESCRIPTION
1	1	AFC-507-4FG	.125 NEOPRENE GASKET FILTER



<b>AMERICAN MOBILE POWER</b> PH: (800) 634-8265 FAX: (765) 948-3403	DRAWING BY: BPKNIGHT	DESIGN FOR: AMP	FILE NAME: AFC-507-4F	
	COMPLETED: 3/5/2019		SHEET: 3 of 3	SHEET SIZE: B