

4

3

2

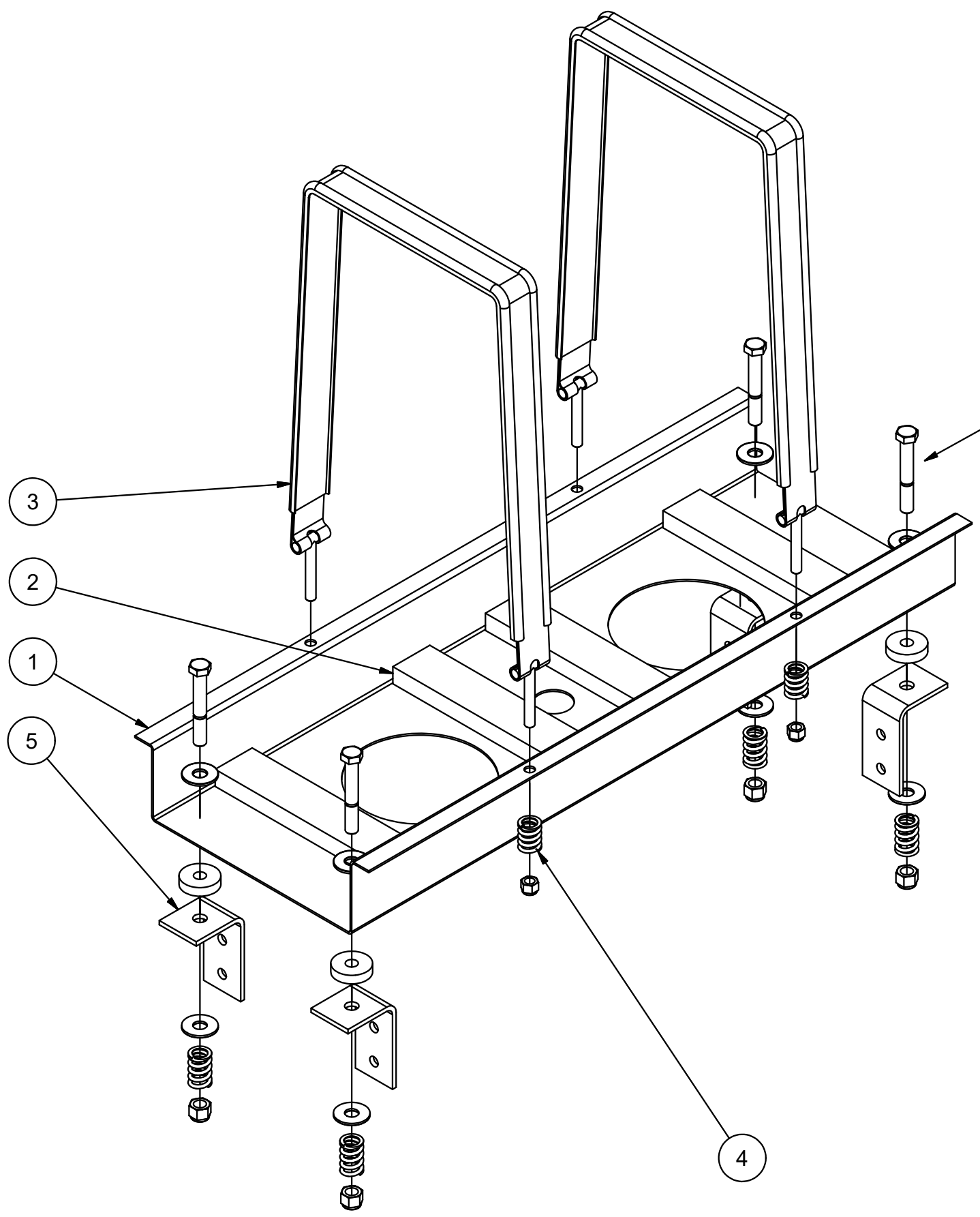
1

Parts List

ITEM	QTY	PART NUMBER	DESCRIPTION
1	1	AMB-405HD	12 GA HRPO BASE
2	4	AMB-405R	1 x 2.50 x 13 RUBBER w/ADHESIVE STRIPS
3	2	ASA-6357-S	57" 304 SS STRAP ASSEMBLY
4	4	ASK-09830003	COMPRESSION SPRING, PLATED
5	4	ASK-200	CHASSIS MOUNTING KIT

B

B



MATCH-DRILL BASE PANEL IN FIELD
FOR ASK-200 BOLTS

A

A

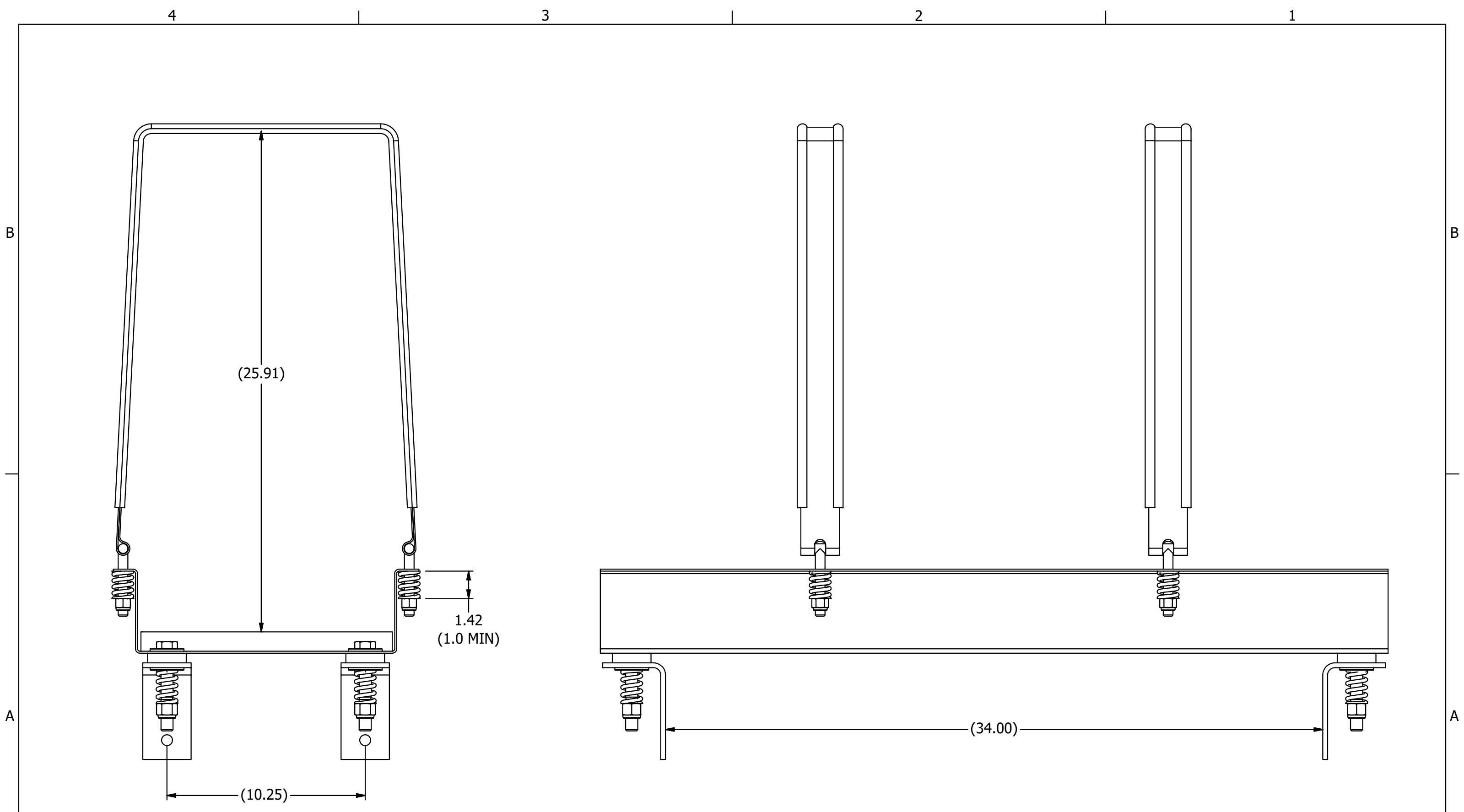
4

3

2

1

AMERICAN MOBILE POWER PH: (800) 634-8265 FAX: (765) 948-3403	DRAWING BY: BPKNIGHT	DESIGN FOR: AMP	FILE NAME: ABK-340-S	
	COMPLETED: 3/10/2015		SHEET: 1 of 2	SHEET SIZE: B



AMERICAN MOBILE POWER PH: (800) 634-8265 FAX: (765) 948-3403	DRAWING BY: BPKNIGHT	DESIGN FOR: AMP	FILE NAME: ABK-340-S	
	COMPLETED: 3/10/2015		SHEET: 2 of 2	SHEET SIZE: B