

4

3

2

1

Parts List

ITEM	QTY	PART NUMBER	DESCRIPTION
1	2	0500BBS	Black Buffer Seal 1.0 OD x .5 ID x .10 Neoprene
2	2	24107	Button Head, Hex, 1/2-13 UNC x 0.75
3	1	57XL-40	40 Micron FILL w/30 Mesh Stainless Strainer
4	1	AFC-507	FILTER PORT COVER 6.25 DIA. B.C.
5	1	APP2000	2" NPT SQUARE SOCKET PLUG
6	1	N_A4535-2STRF	NAM WELDMENT ~26.13 lbs
7	1	T-LLG-5	SIGHT/TEMP. GAUGE, 5"

AMP PARTS INCLUDE:

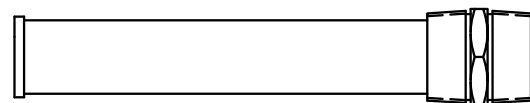
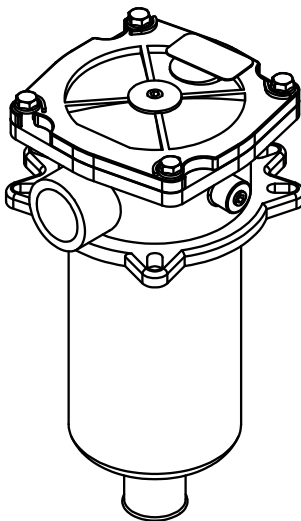
-AMK-624-C MOUNTING KIT (STD) OR -S (UPGRADE)

NOTE:

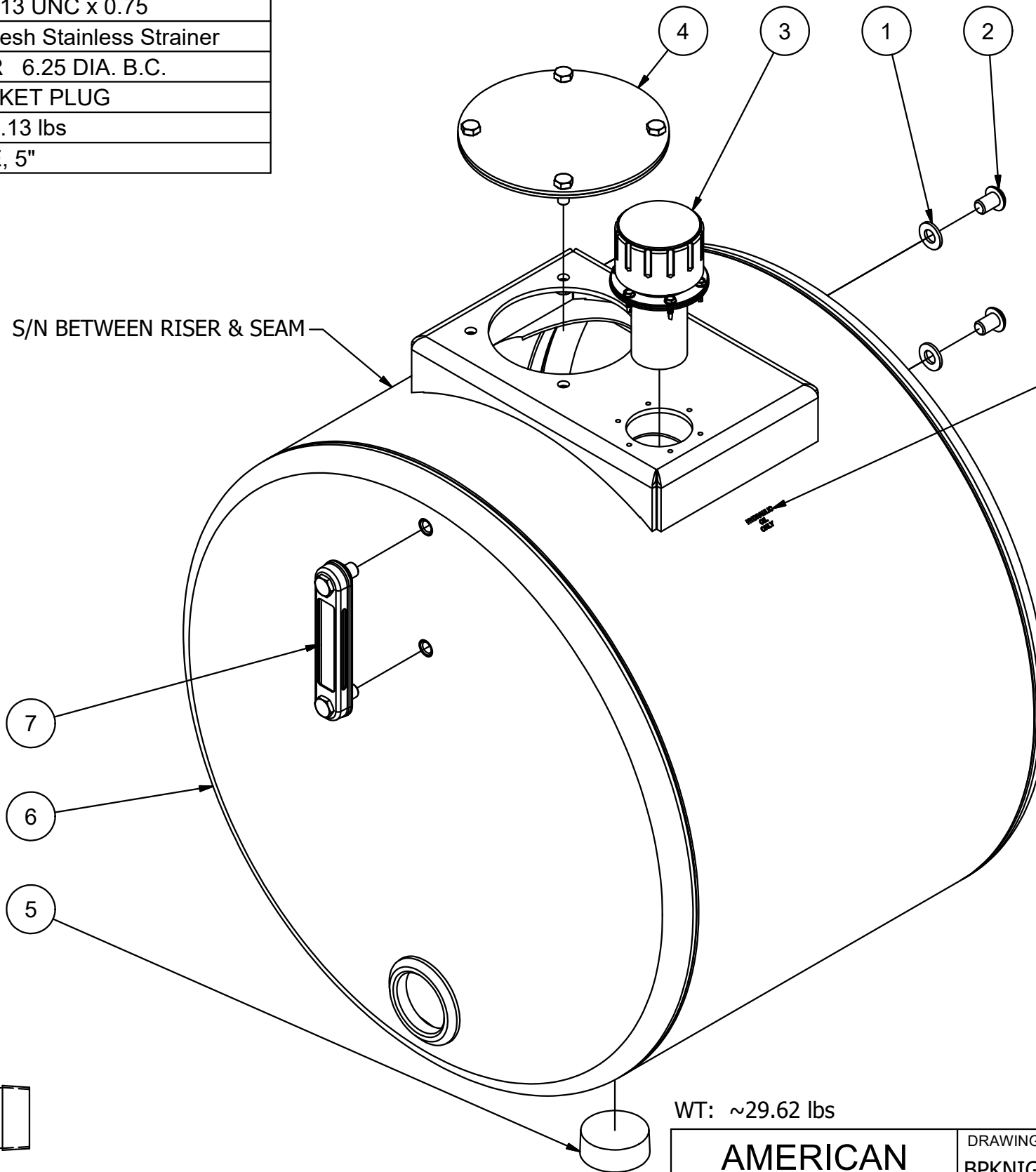
-PLUG ALL PORTS FOR SHIPMENT

S/N BETWEEN RISER & SEAM

HYDRAULIC OIL ONLY



* ON ORDER ONLY: LIT-1250-10P IN-TANK RETURN FILTER
LTF-32-32R5 SUCTION STRAINER



WT: ~29.62 lbs

12-12-18	A	Make filter option; Show cover: UPDATE PARTS LIST	BPK
DATE	SYM.	DESCRIPTION	BY

REVISIONS

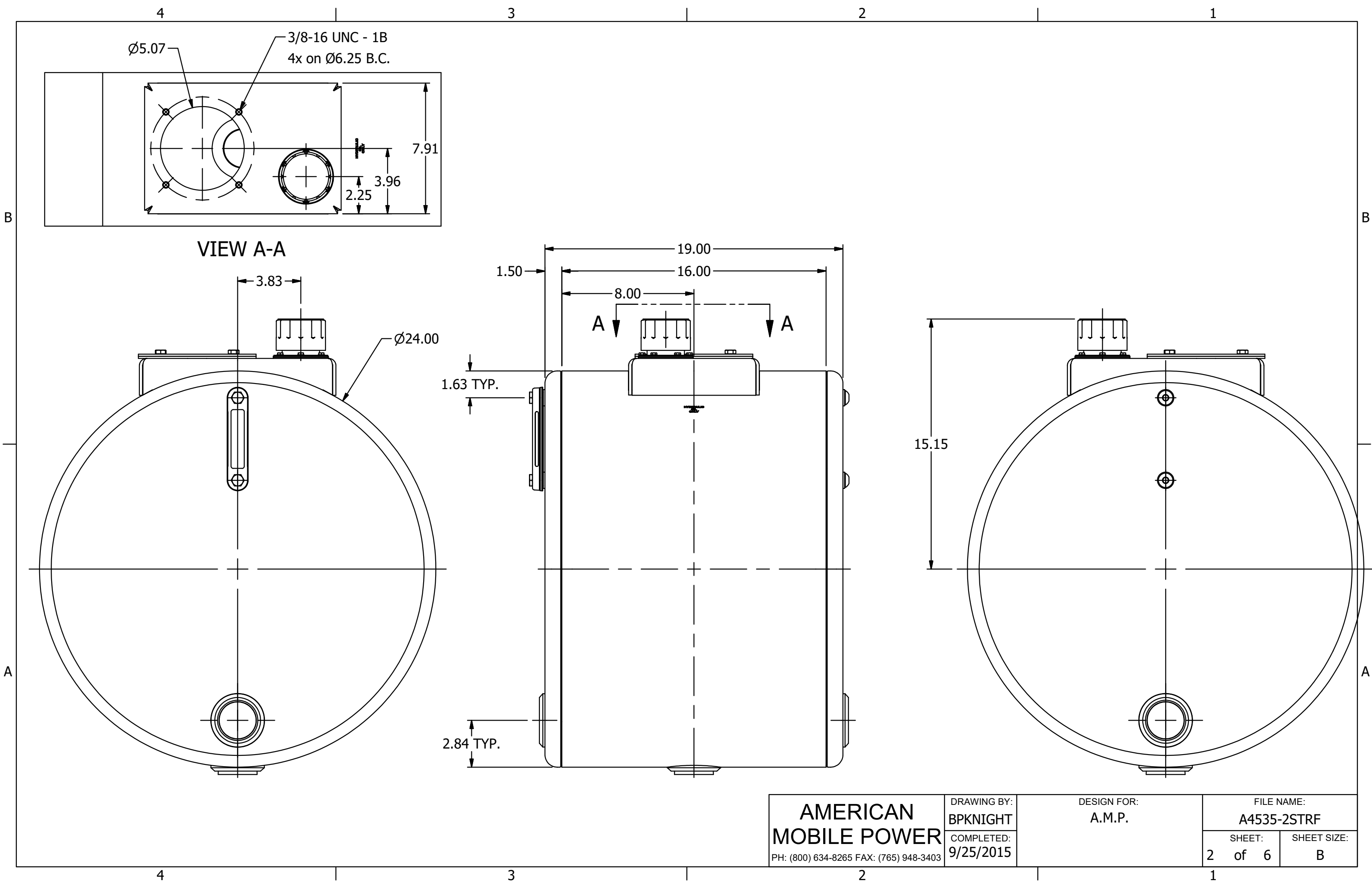
AMERICAN MOBILE POWER PH: (800) 634-8265 FAX: (765) 948-3403	DRAWING BY: BPKNIGHT	DESIGN FOR: A.M.P.	FILE NAME: A4535-2STRF	
	COMPLETED: 9/25/2015		SHEET: 1 of 6	SHEET SIZE: B

4

3

2

1



AMERICAN MOBILE POWER <small>PH: (800) 634-8265 FAX: (765) 948-3403</small>	DRAWING BY: BPKNIGHT	DESIGN FOR: A.M.P.	FILE NAME: A4535-2STRF	
	COMPLETED: 9/25/2015		SHEET: 2 of 6	SHEET SIZE: B

4

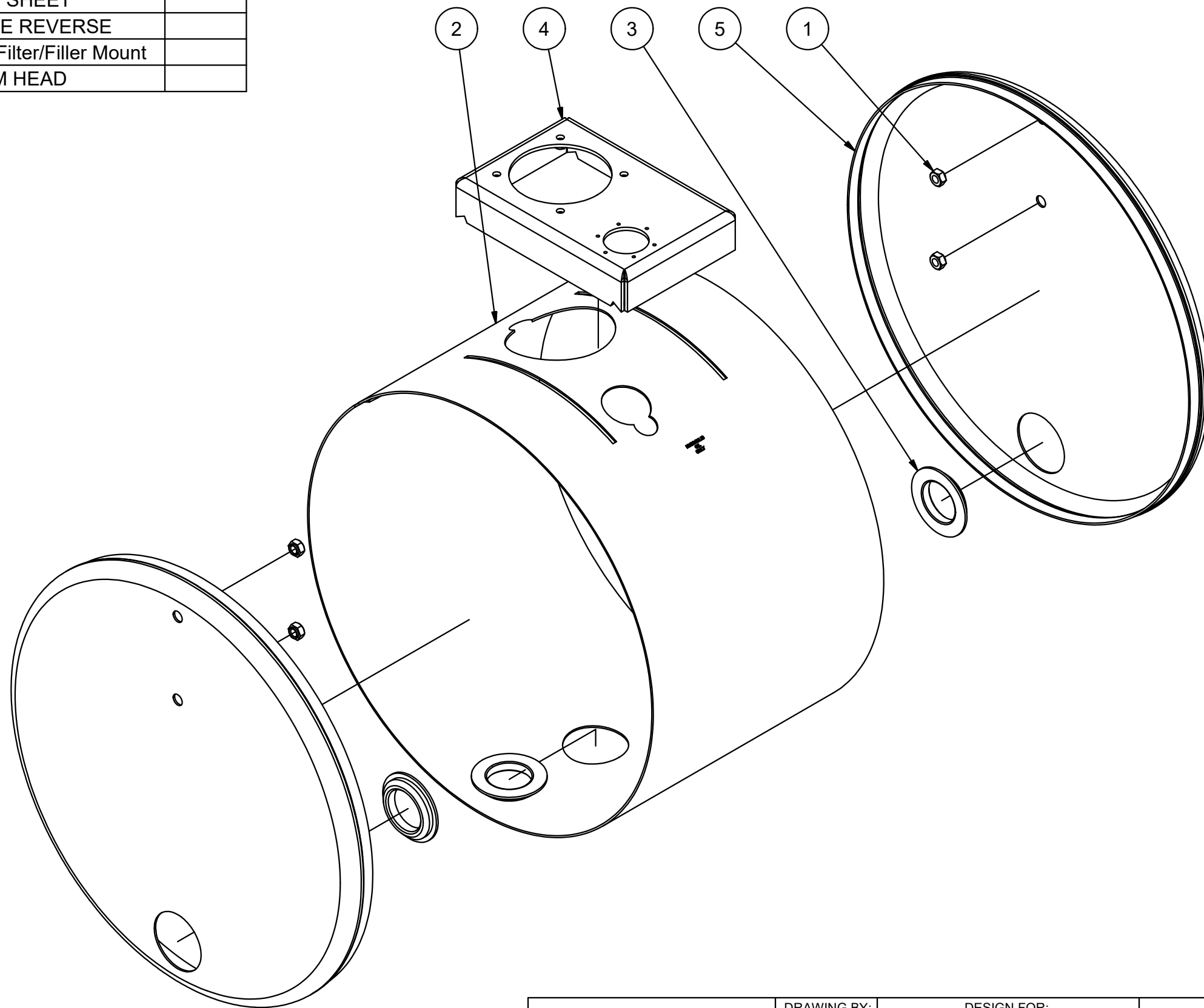
3

2

1

Parts List

ITEM	QTY	PART NUMBER	DESCRIPTION	Fab Qty
1	4	0500-13-AWN	1/2-13 ALUMINUM WELD NUT	
2	1	A4535-2STRFW	.100 MILL ALUMINUM WRAP SHEET	
3	3	AWF2000RM	2" NPT ALUM. WELD FLANGE REVERSE	
4	1	N_A45RF12FBM	NAM WELDMENT: LIT-1250 Filter/Filter Mount	
5	2	SA2000RMST	24 IN X .100 MILL ALUMINUM HEAD	



B

B

A

A

AMERICAN MOBILE POWER PH: (800) 634-8265 FAX: (765) 948-3403	DRAWING BY: BPKNIGHT	DESIGN FOR: A.M.P.	FILE NAME: A4535-2STRF	
	COMPLETED: 9/25/2015		SHEET: 3 of 6	SHEET SIZE: B

4

3

2

1