

4

3

2

1

Parts List

ITEM	QTY	PART NUMBER	DESCRIPTION
1	2	0500BBS	Black Buffer Seal 1.0 OD x .5 ID x .10 Neoprene
2	2	24107	Button Head, Hex, 1/2-13 UNC x 0.75
3	1	57XL-40	40 Micron FILL w/30 Mesh Stainless Strainer
4	1	APP1250	1 1/4" NPT SQUARE SOCKET PLUG
5	1	N_A4525-ST	NAM WELDMENT ~21.17 lbs
6	1	T-LLG-5	SIGHT/TEMP. GAUGE, 5"

AMP PARTS INCLUDE:

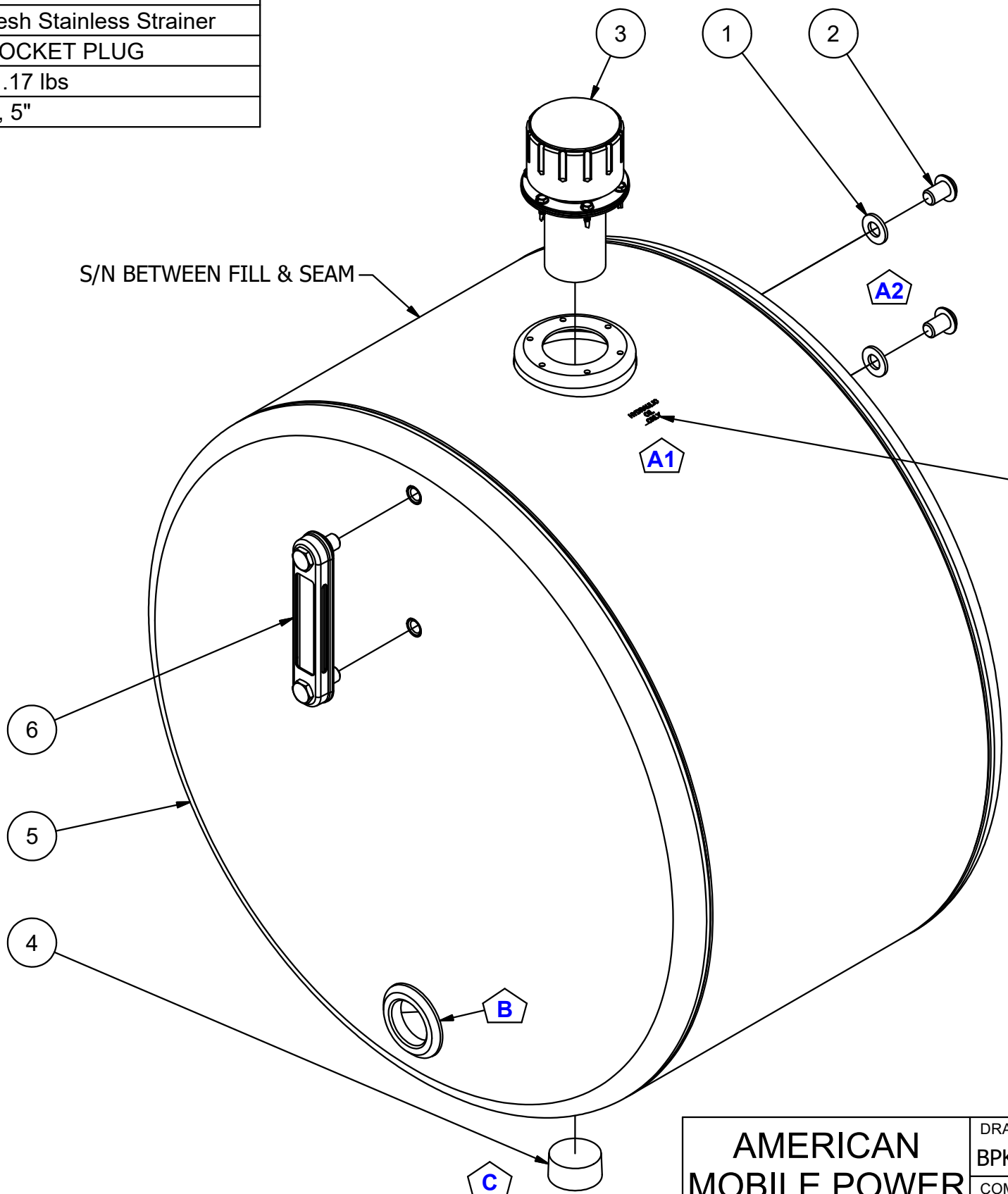
-AMK-624-C MOUNTING KIT (STD) OR -S (UPGRADE)

NOTE:

-PLUG ALL PORTS FOR SHIPMENT

S/N BETWEEN FILL & SEAM

HYDRAULIC OIL ONLY



DATE	SYM.	DESCRIPTION	BY
12-11-18	C	SHOW PLUG: UPDATE PARTS LIST	BPK
4-17-09	B	UPDATED SUCTION / RETURN FLANGES	BPK
12-6-07	A2	Was STL FLT Washer, O_RING, Hex Hd. Cap Screw	BPK
12-6-07	A1	ADD "HYDRAULIC OIL ONLY" STAMP	BPK

REVISIONS

<b>AMERICAN MOBILE POWER</b> PH: (800) 634-8265 FAX: (765) 948-3403	DRAWING BY: <b>BPKNIGHT</b>	DESIGN FOR: <b>A.M.P.</b>	FILE NAME: <b>A4525-ST</b>	
	COMPLETED: <b>6/7/2007</b>	SHEET: <b>1 of 5</b>		SHEET SIZE: <b>B</b>

4

3

2

1

B

B

A

A

4

3

2

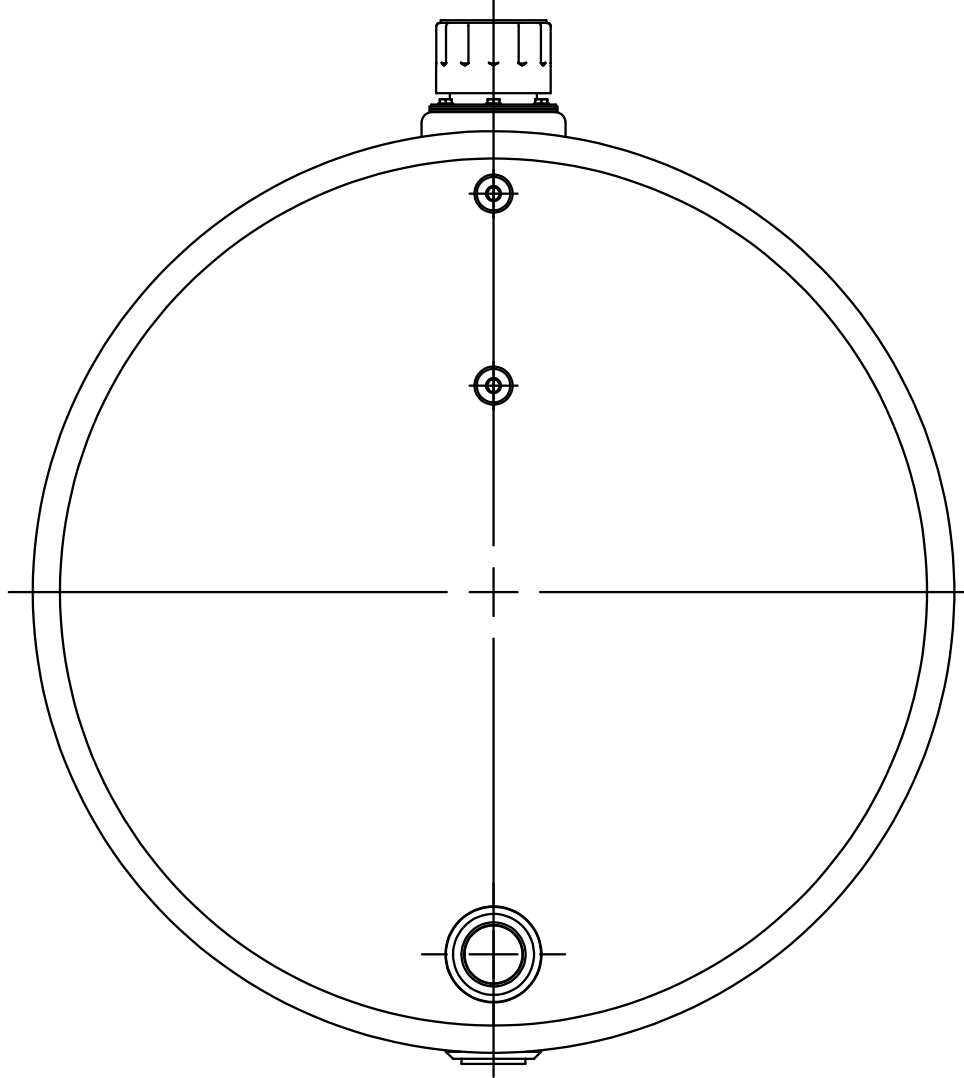
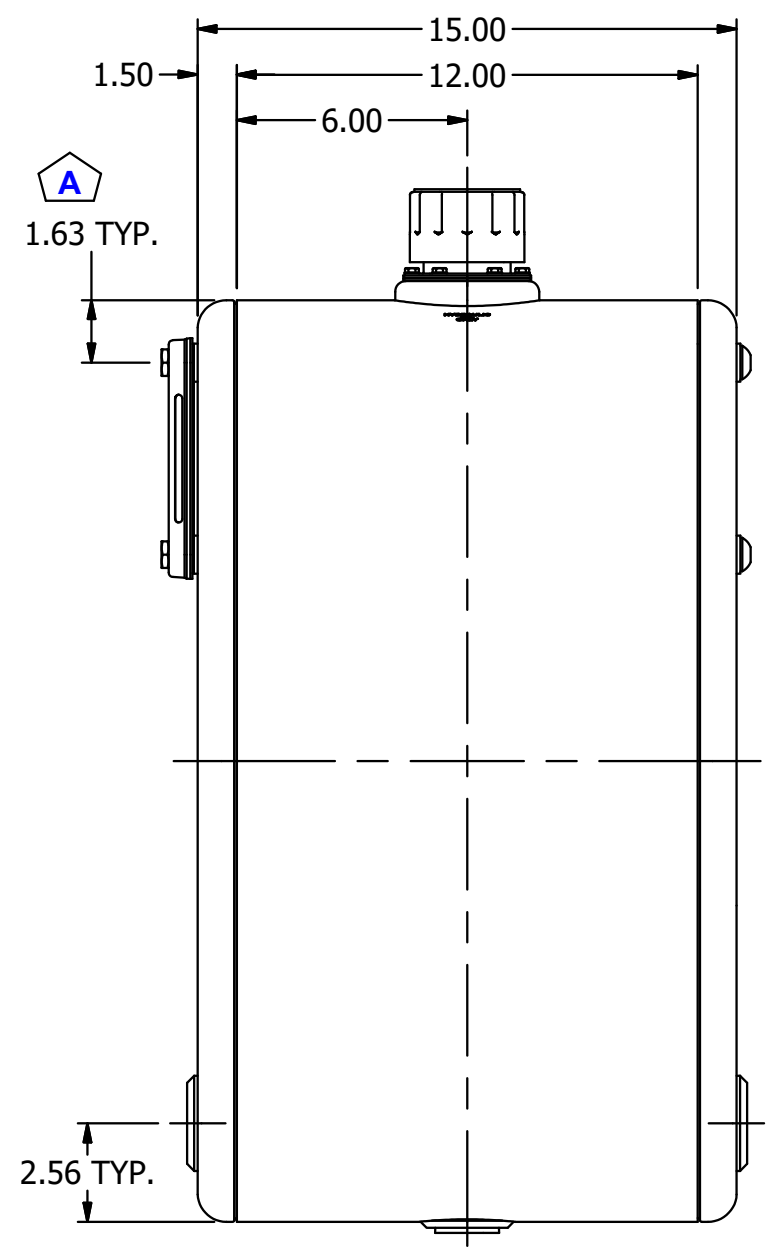
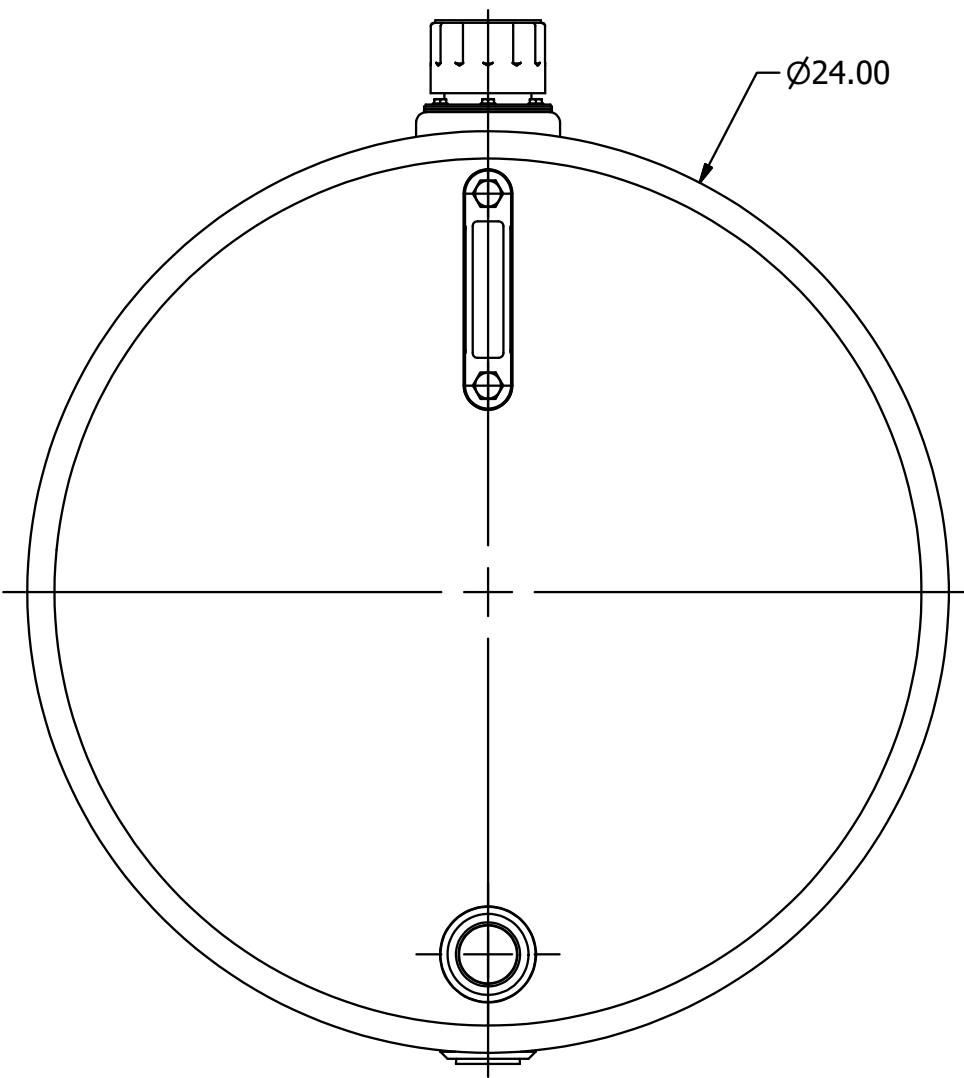
1

B

B

A

A



DATE	SYM.	DESCRIPTION	BY
4-17-09	A	WAS 2"	BPK
REVISIONS			

**AMERICAN  
MOBILE POWER**

PH: (800) 634-8265 FAX: (765) 948-3403

DRAWING BY:  
BPKNIGHT

COMPLETED:  
6/7/2007

DESIGN FOR:  
A.M.P.

FILE NAME:  
A4525-ST

SHEET:  
2 of 5

SHEET SIZE:  
B

4

3

2

1

4

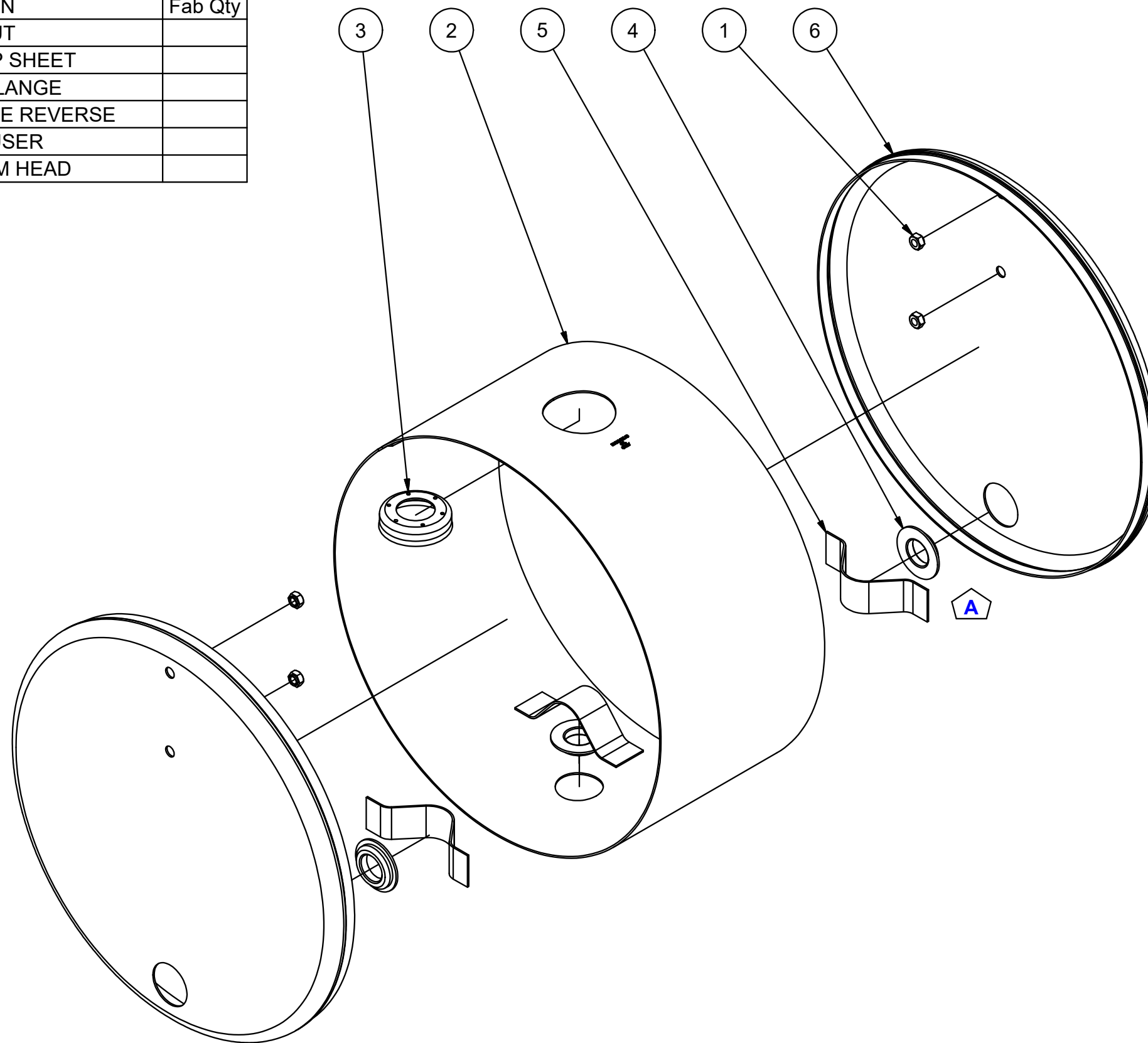
3

2

1

Parts List

ITEM	QTY	PART NUMBER	DESCRIPTION	Fab Qty
1	4	0500-13-AWN	1/2-13 ALUMINUM WELD NUT	
2	1	A4525WS	.100 MILL ALUMINUM WRAP SHEET	
3	1	AFA-401	.100 AI FILL ASS'Y WELD FLANGE	
4	3	AWF1250RM	1-1/4" NPT AL WELD FLANGE REVERSE	
5	3	DIFFUSER-AL	.100 MILL ALUMINUM DIFFUSER	
6	2	SA1250RMST	24 IN X .100 MILL ALUMINUM HEAD	



B

B

A

A

4-17-09	A	UPDATED SUCTION / RETURN FLANGES	BPK
DATE	SYM.	DESCRIPTION	BY

REVISIONS

<b>AMERICAN MOBILE POWER</b> PH: (800) 634-8265 FAX: (765) 948-3403	DRAWING BY: <b>BPKNIGHT</b>	DESIGN FOR: <b>A.M.P.</b>	FILE NAME: <b>A4525-ST</b>	
	COMPLETED: <b>6/7/2007</b>		SHEET: <b>3 of 5</b>	SHEET SIZE: <b>B</b>

4

3

2

1