

4

3

2

1

Parts List

ITEM	QTY	PART NUMBER	DESCRIPTION
1	2	0500BBS	Black Buffer Seal 1.0 OD x .5 ID x .10 Neoprene
2	2	24107	Button Head, Hex, 1/2-13 UNC x 0.75
3	1	57XL-40	40 Micron FILL w/30 Mesh Stainless Strainer
4	1	APP0750-M	3/4" NPT MAG PLUG
5	1	N_A4525-DS90-ST	NAM WELDMENT ~24 3/4 lbs
6	1	T-LLG-5	SIGHT/TEMP. GAUGE, 5"

AMP PARTS INCLUDE:

-AMK-624-C MOUNTING KIT (STD) OR -S (UPGRADE)

NOTE:

-PLUG ALL PORTS FOR SHIPMENT

"HYDRAULIC OIL ONLY"

S/N BETWEEN FILL & SEAM

4

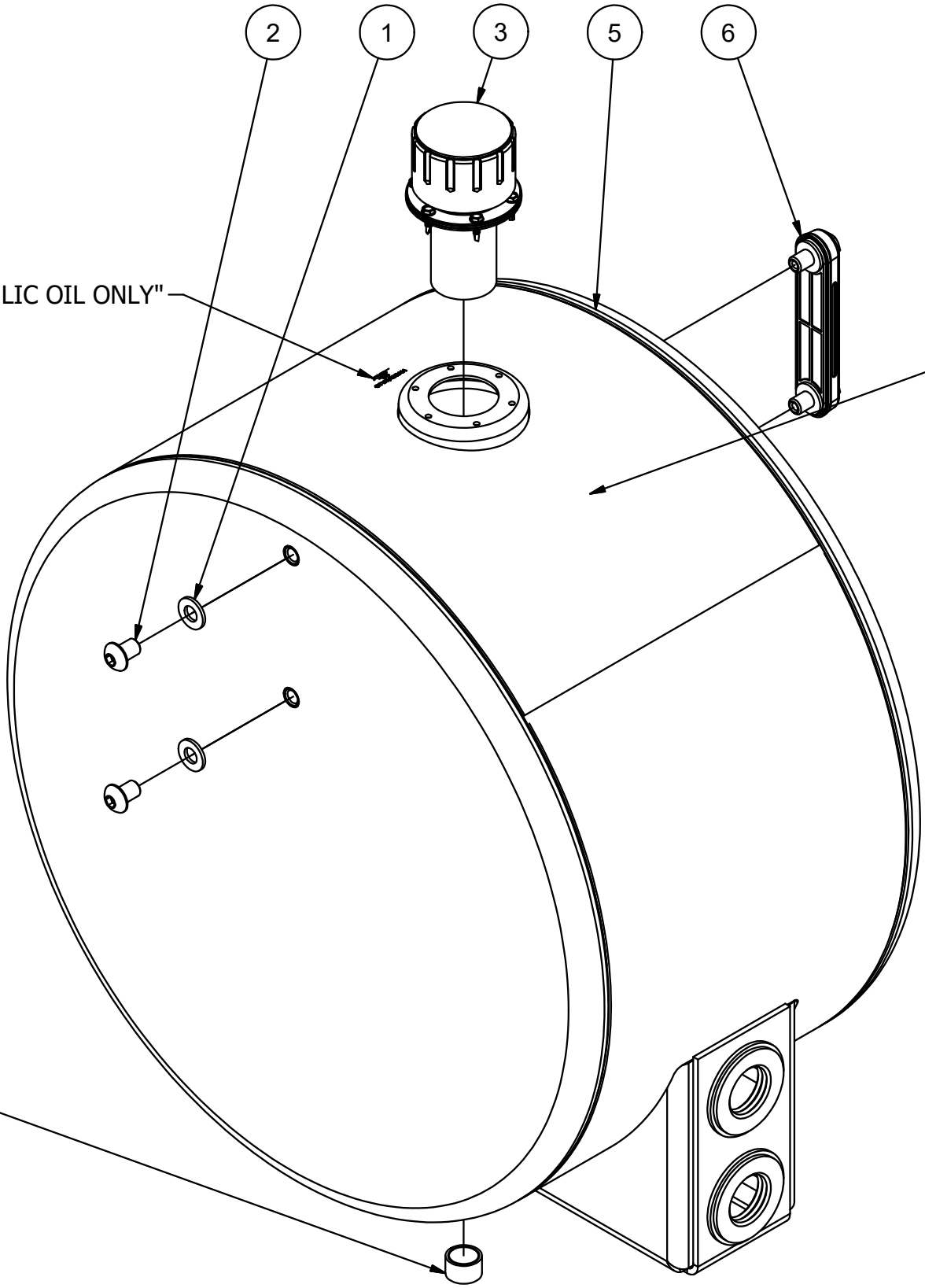
2

1

3

5

6



AMERICAN MOBILE POWER PH: (800) 634-8265 FAX: (765) 948-3403	DRAWING BY: BPKNIGHT	DESIGN FOR: A.M.P.	FILE NAME: A4525-DS90-ST	
	COMPLETED: 1/28/2010		SHEET: 1 of 10	SHEET SIZE: B

4

3

2

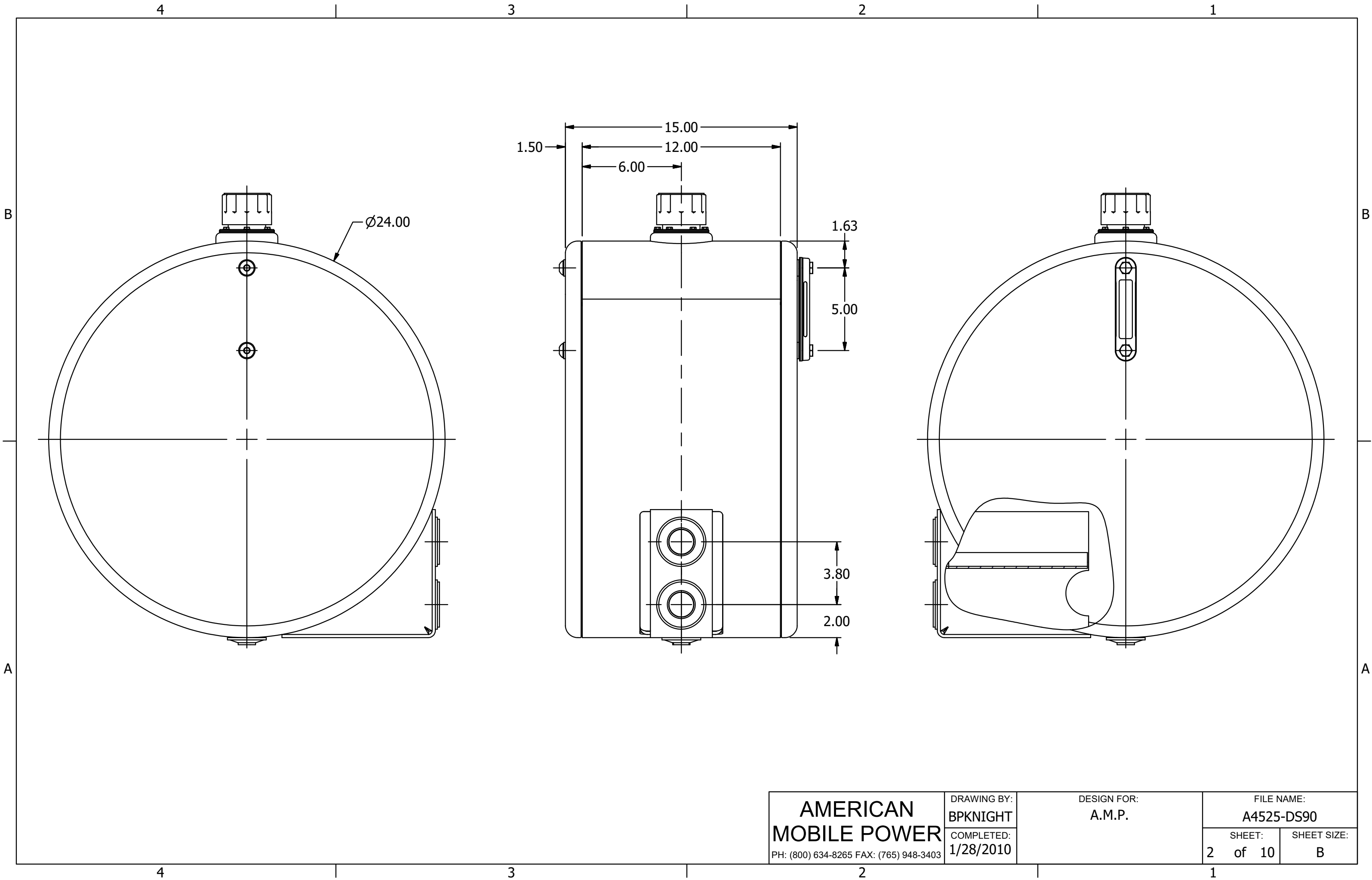
1

B

B

A

A



AMERICAN MOBILE POWER PH: (800) 634-8265 FAX: (765) 948-3403	DRAWING BY: BPKNIGHT	DESIGN FOR: A.M.P.	FILE NAME: A4525-DS90	
	COMPLETED: 1/28/2010		SHEET: 2 of 10	SHEET SIZE: B

4

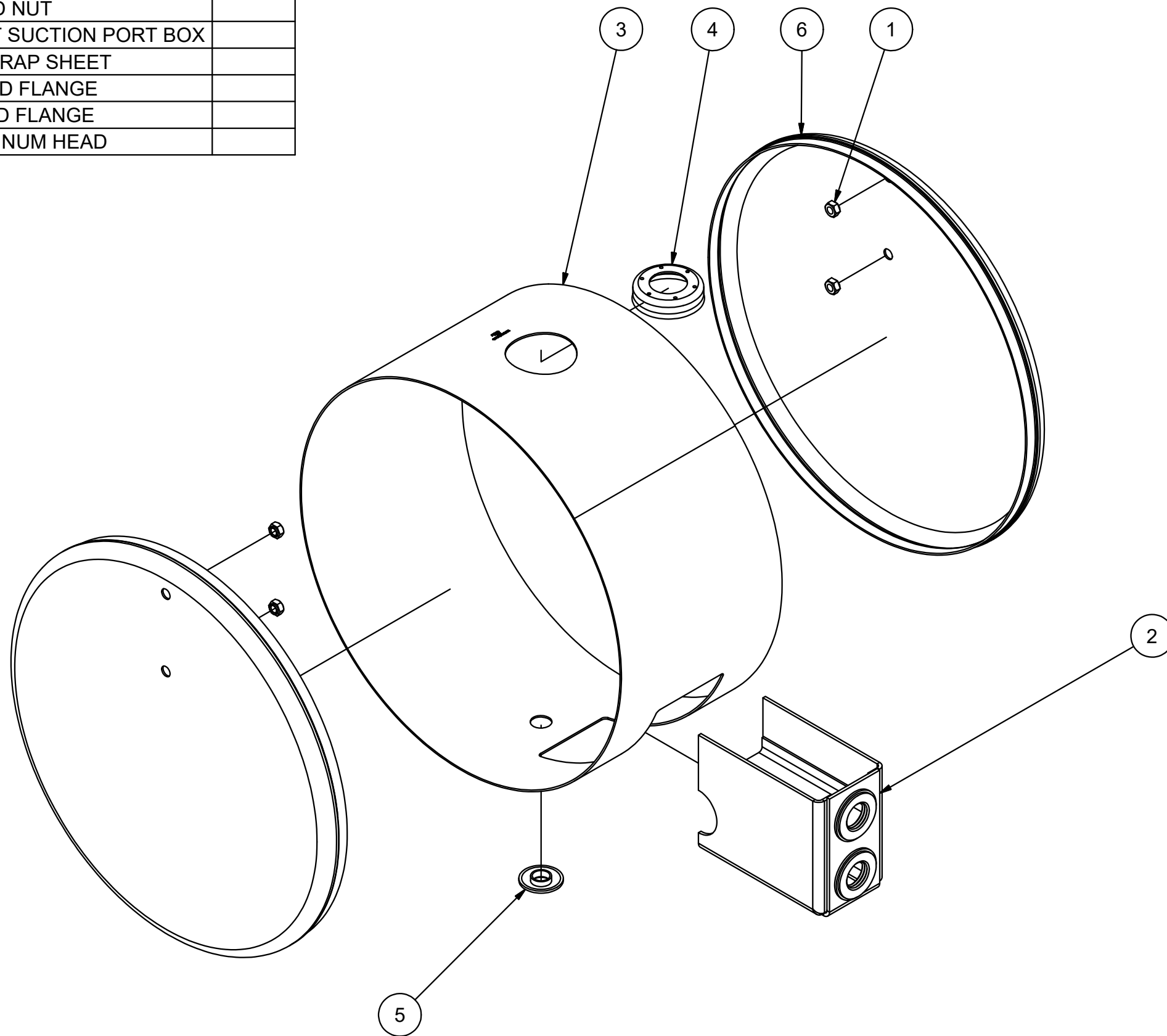
3

2

1

Parts List

ITEM	QTY	PART NUMBER	DESCRIPTION	Fab Qty
1	4	0500-13-AWN	1/2-13 ALUMINUM WELD NUT	
2	1	A4525-DS90SP	WELDMENT: 1 1/4" NPT SUCTION PORT BOX	
3	1	A4525-DS90WS	.100 MILL ALUMINUM WRAP SHEET	
4	1	AFA-401	.100 AI FILL ASS'Y WELD FLANGE	
5	1	AWF0750	3/4" NPTF 6061-T6 WELD FLANGE	
6	2	SA0000ST	24 IN X .100 MILL ALUMINUM HEAD	



B

B

A

A

AMERICAN MOBILE POWER PH: (800) 634-8265 FAX: (765) 948-3403	DRAWING BY: BPKNIGHT	DESIGN FOR: A.M.P.	FILE NAME: A4525-DS90	
	COMPLETED: 1/28/2010		SHEET: 3 of 10	SHEET SIZE: B

4

3

2

1