

4

3

2

1

Parts List

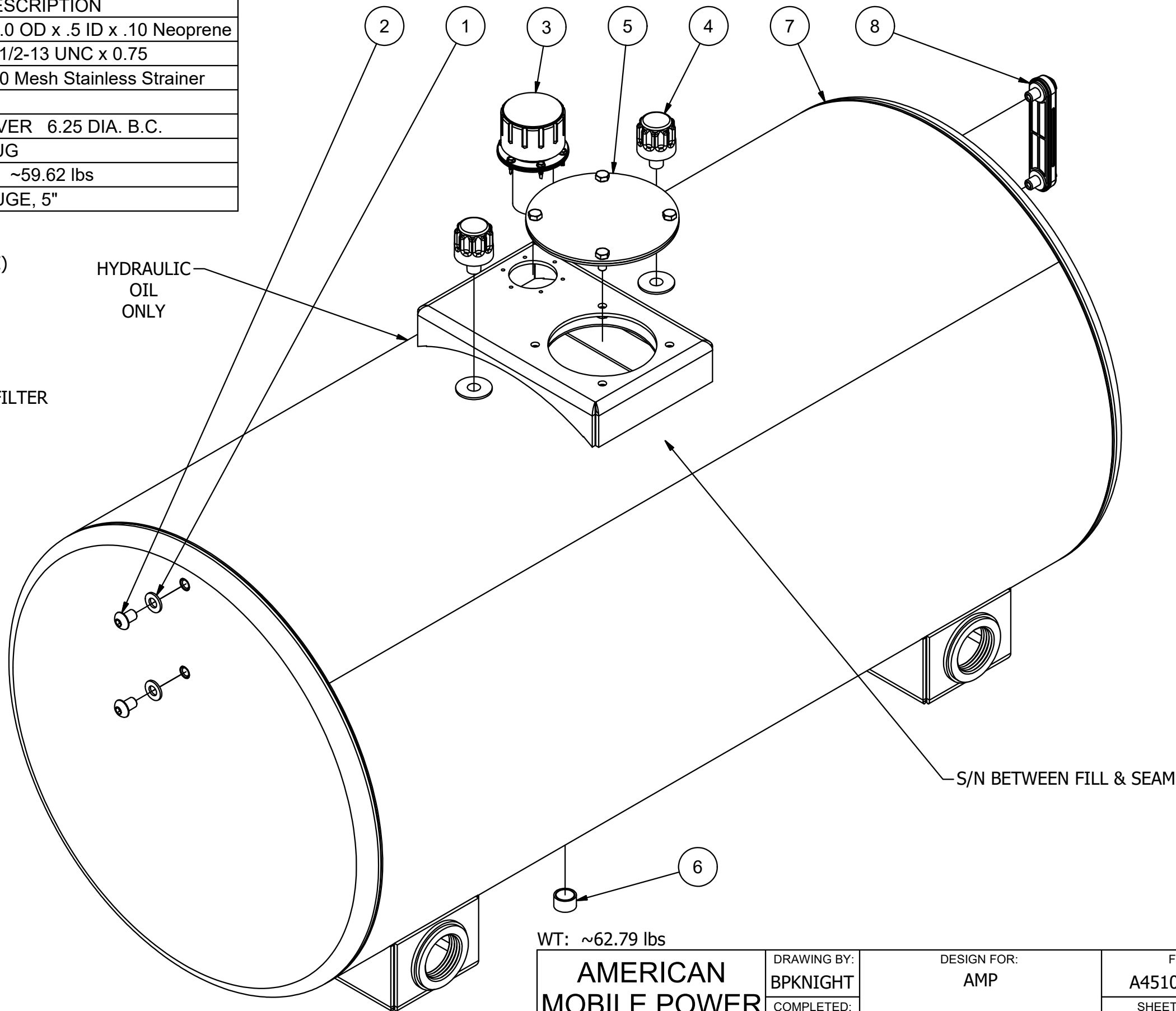
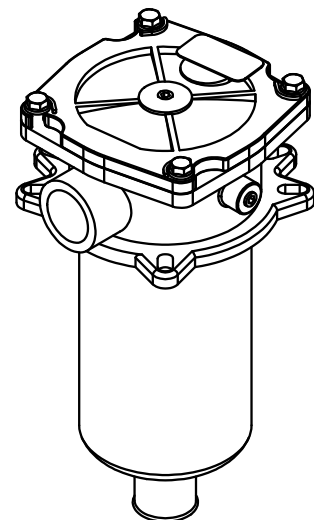
ITEM	QTY	PART NUMBER	DESCRIPTION
1	2	0500BBS	Black Buffer Seal 1.0 OD x .5 ID x .10 Neoprene
2	2	24107	Button Head, Hex, 1/2-13 UNC x 0.75
3	1	57XL-40	40 Micron FILL w/30 Mesh Stainless Strainer
4	2	ABA-138	3/8" NPT VENT
5	1	AFC-507	FILTER PORT COVER 6.25 DIA. B.C.
6	1	APP0750-M	3/4" NPT MAG PLUG
7	1	N_A45100-2S90-STRF	NAM WELDMENT ~59.62 lbs
8	1	T-LLG-5	SIGHT/TEMP. GAUGE, 5"

B

AMP PARTS INCLUDE:
 (2) AMK-624-C MOUNTING KIT (STD) OR -S (UPGRADE)

NOTE:
 -PLUG ALL PORTS FOR SHIPMENT

* ON ORDER ONLY: LIT-1250-10P IN-TANK RETURN FILTER



B

A

A

4

3

2

1

WT: ~62.79 lbs

**AMERICAN
MOBILE POWER**

PH: (800) 634-8265 FAX: (765) 948-3403

DRAWING BY:
BPKNIGHT
COMPLETED:
1/21/2016

DESIGN FOR:
AMP

FILE NAME:
A45100-2S90-STRF
SHEET:
1 of 6
SHEET SIZE:
B

4

3

2

1

Parts List

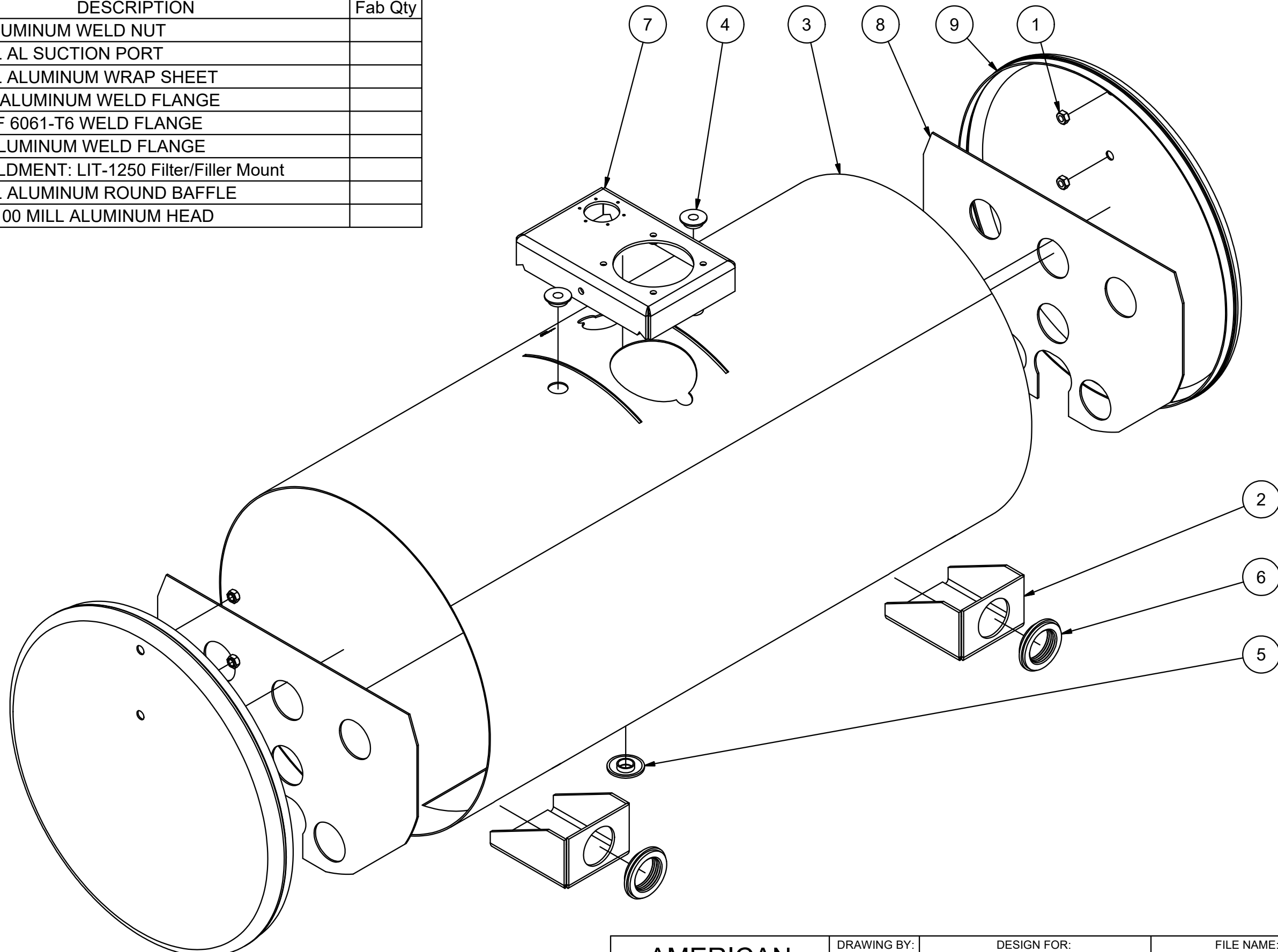
ITEM	QTY	PART NUMBER	DESCRIPTION	Fab Qty
1	4	0500-13-AWN	1/2-13 ALUMINUM WELD NUT	
2	2	A4500-2S90SP	.190 MILL AL SUCTION PORT	
3	1	A45100-2S90RFW	.100 MILL ALUMINUM WRAP SHEET	
4	2	AWF0375SA	3/8" NPT ALUMINUM WELD FLANGE	
5	1	AWF0750	3/4" NPTF 6061-T6 WELD FLANGE	
6	2	AWF2000	2" NPT ALUMINUM WELD FLANGE	
7	1	N_A45RF12FBM	NAM WELDMENT: LIT-1250 Filter/Filler Mount	
8	2	SA0000BF	.125 MILL ALUMINUM ROUND BAFFLE	
9	2	SA0000ST	24 IN X .100 MILL ALUMINUM HEAD	

B

B

A

A



AMERICAN MOBILE POWER <small>PH: (800) 634-8265 FAX: (765) 948-3403</small>	<small>DRAWING BY:</small> BPKNIGHT	<small>DESIGN FOR:</small> AMP	<small>FILE NAME:</small> A45100-2S90STRF	
	<small>COMPLETED:</small> 1/21/2016		<small>SHEET:</small> 3 of 6	<small>SHEET SIZE:</small> B

4

3

2

1