

4

3

2

1

Parts List

ITEM	QTY	PART NUMBER	DESCRIPTION
1	2	0500BBS	Black Buffer Seal 1.0 OD x .5 ID x .10 Neoprene
2	2	24107	Button Head, Hex, 1/2-13 UNC x 0.75
3	1	57XL-40	40 Micron FILL w/30 Mesh Stainless Strainer
4	1	APP0750-M	3/4" NPT MAG PLUG
5	1	N_A3525-DS90-ST	NAM WELDMENT ~59.28 lbs
6	1	T-LLG-5	SIGHT/TEMP. GAUGE, 5"

AMP PARTS INCLUDE:

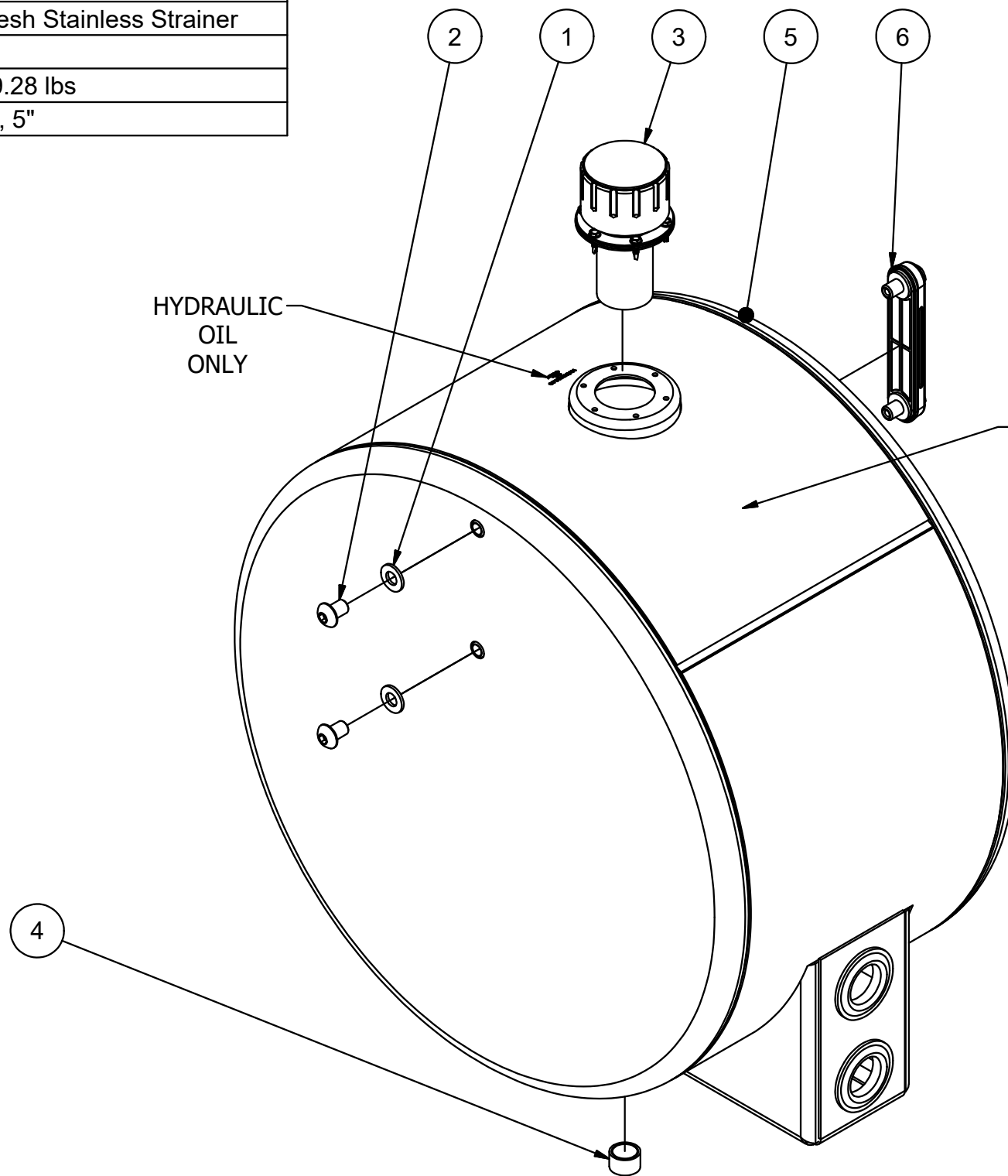
-AMK-624-C MOUNTING KIT (STD) OR -S (UPGRADE)

NOTES:

- POWDER COAT BLACK
- APPLY RUST INHIBITOR INSIDE
- PLUG ALL PORTS FOR SHIPMENT

HYDRAULIC OIL ONLY

S/N BETWEEN FILL & SEAM



WT: ~60.34 lbs

AMERICAN MOBILE POWER	DRAWING BY: BPKNIGHT	DESIGN FOR: A.M.P.	FILE NAME: A3525-DS90-ST	
	COMPLETED: 3/7/2013		SHEET: 1 of 10	SHEET SIZE: B
PH: (800) 634-8265 FAX: (765) 948-3403				

4

3

2

1

B

B

A

A

4

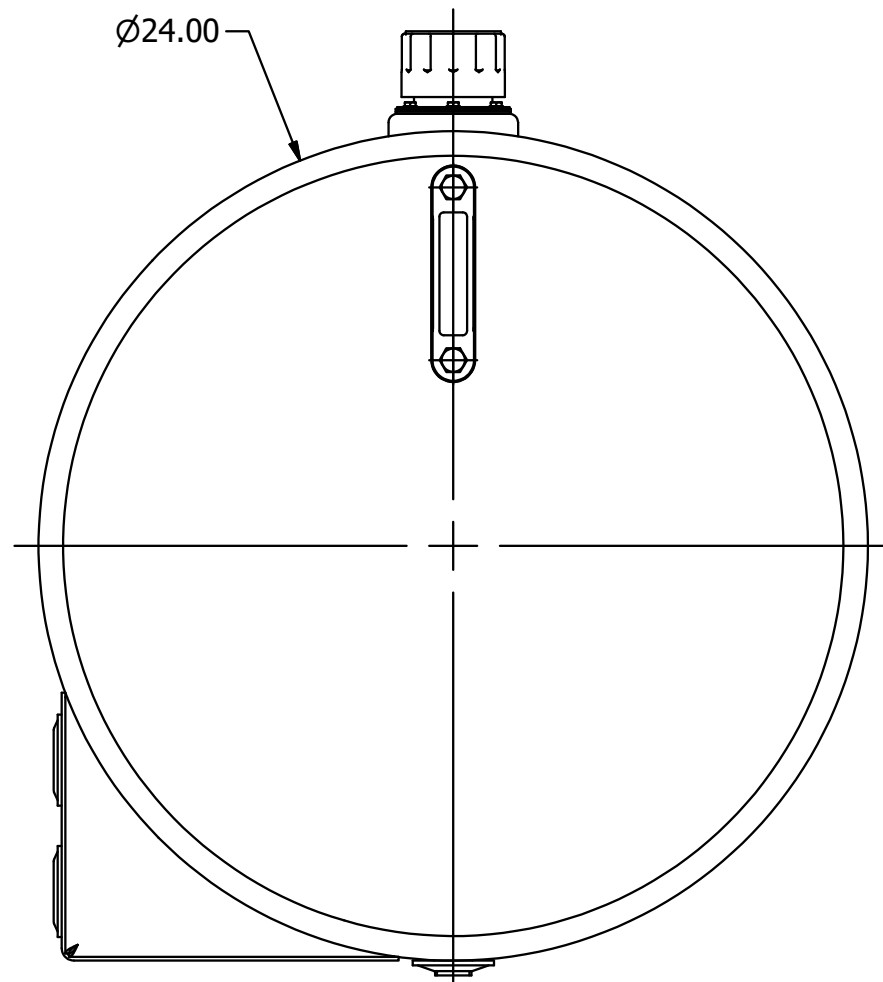
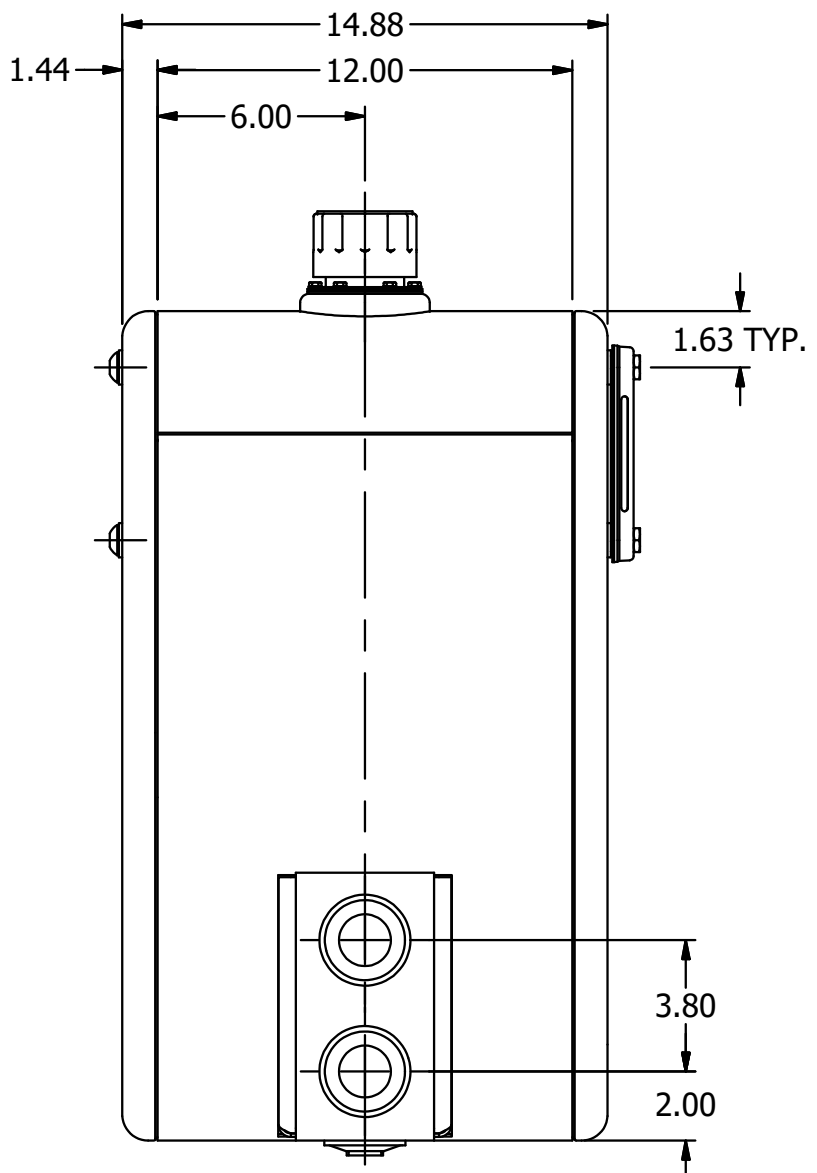
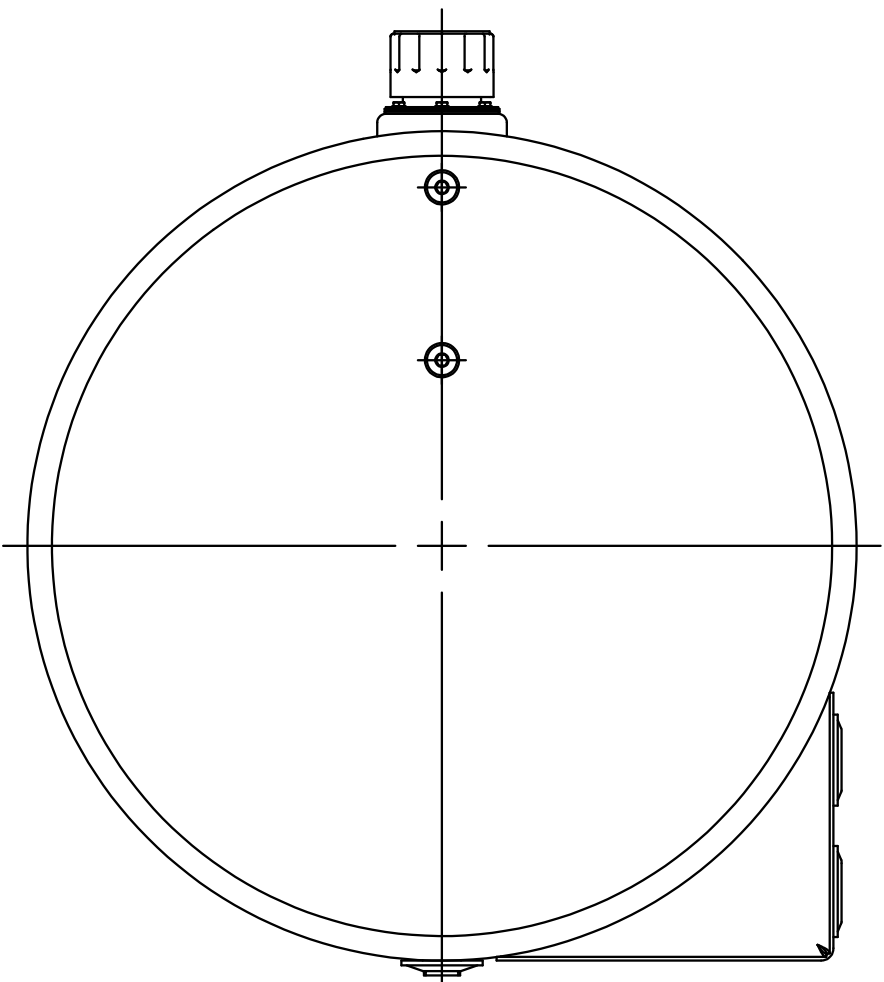
3

2

1

B

B



A

A

4

3

2

1

AMERICAN MOBILE POWER <small>PH: (800) 634-8265 FAX: (765) 948-3403</small>	DRAWING BY: BPKNIGHT	DESIGN FOR: A.M.P.	FILE NAME: A3525-DS90-ST	
	COMPLETED: 3/7/2013		SHEET: 2 of 10	SHEET SIZE: B

4

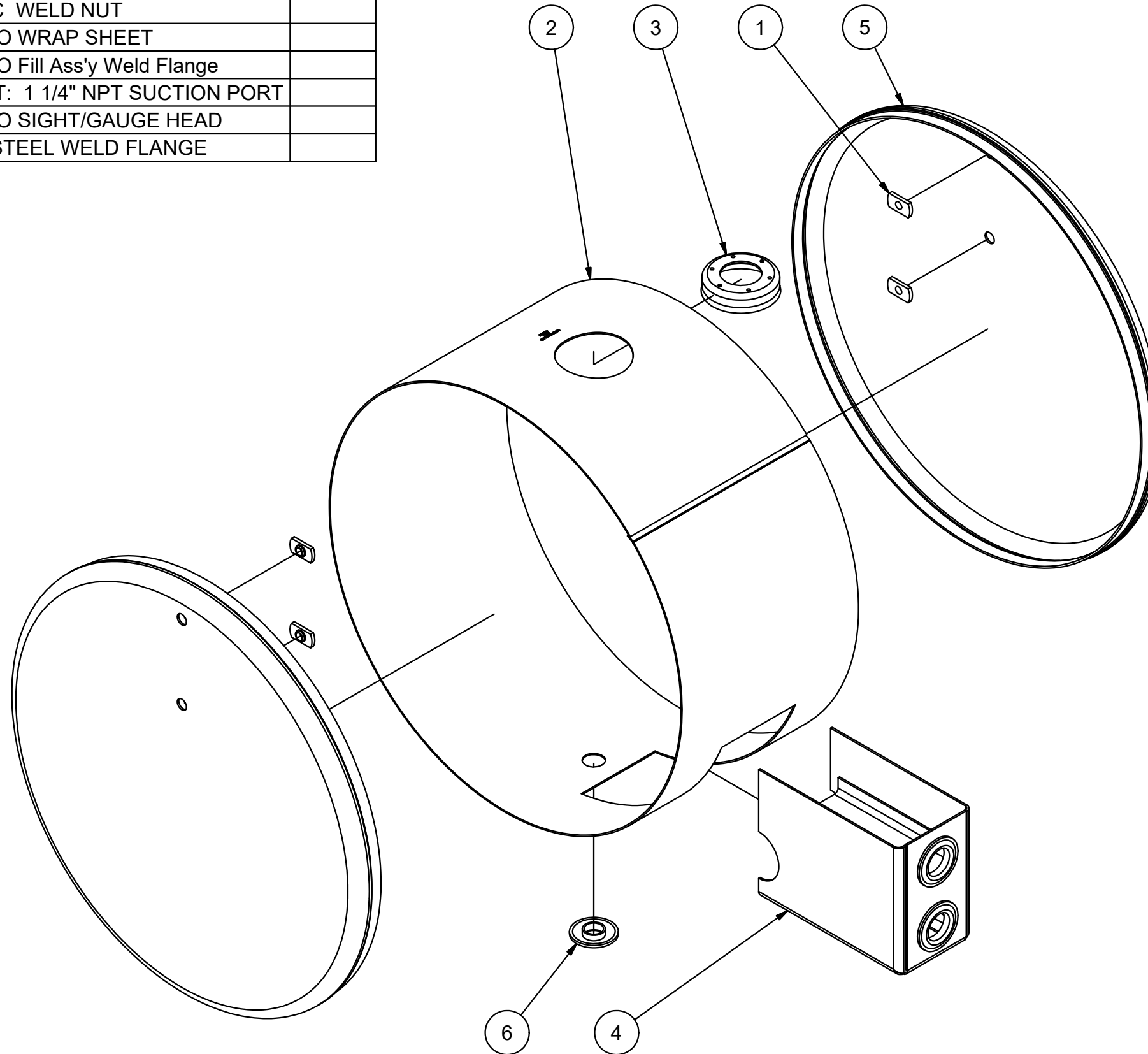
3

2

1

Parts List

ITEM	QTY	PART NUMBER	DESCRIPTION	Fab Qty
1	4	0500-13-FWN	1/2"-13 UNC WELD NUT	
2	1	A3525-DS90WS	14 GA HRPO WRAP SHEET	
3	1	AFS-301	13 GA HRPO Fill Ass'y Weld Flange	
4	1	N_A3525-DS90SP	WELDMENT: 1 1/4" NPT SUCTION PORT	
5	2	SS0000ST	13 GA HRPO SIGHT/GAUGE HEAD	
6	1	SWF0750	3/4" NPTF STEEL WELD FLANGE	



B

B

A

A

4

3

2

1

AMERICAN MOBILE POWER PH: (800) 634-8265 FAX: (765) 948-3403	DRAWING BY: BPKNIGHT	DESIGN FOR: A.M.P.	FILE NAME: A3525-DS90-ST	
	COMPLETED: 3/7/2013		SHEET: 3 of 10	SHEET SIZE: B

4

3

2

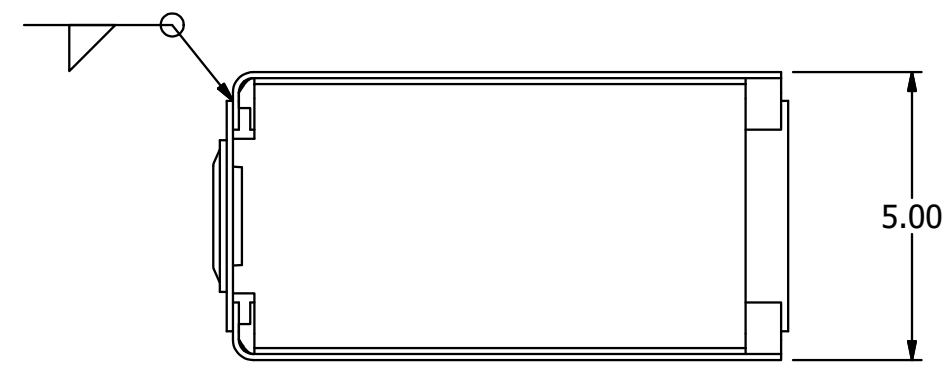
1

Parts List

ITEM	QTY	PART NUMBER	DESCRIPTION	Fab Qty
1	1	A3525-DS90SPB	12 GA HRPO SUCTION PORT BAFFLE	
2	1	A3525-DS90SPF	12 GA HRPO SUCTION PORT FRONT	
3	1	A3525-DS90SPL	12 GA HRPO SUCTION PORT SIDE LEFT	
4	1	A3525-DS90SPR	12 GA.HRPO SUCTION PORT SIDE RIGHT	
5	2	SWF1250-R	1 1/4" NPSC STEEL WELD FLANGE	

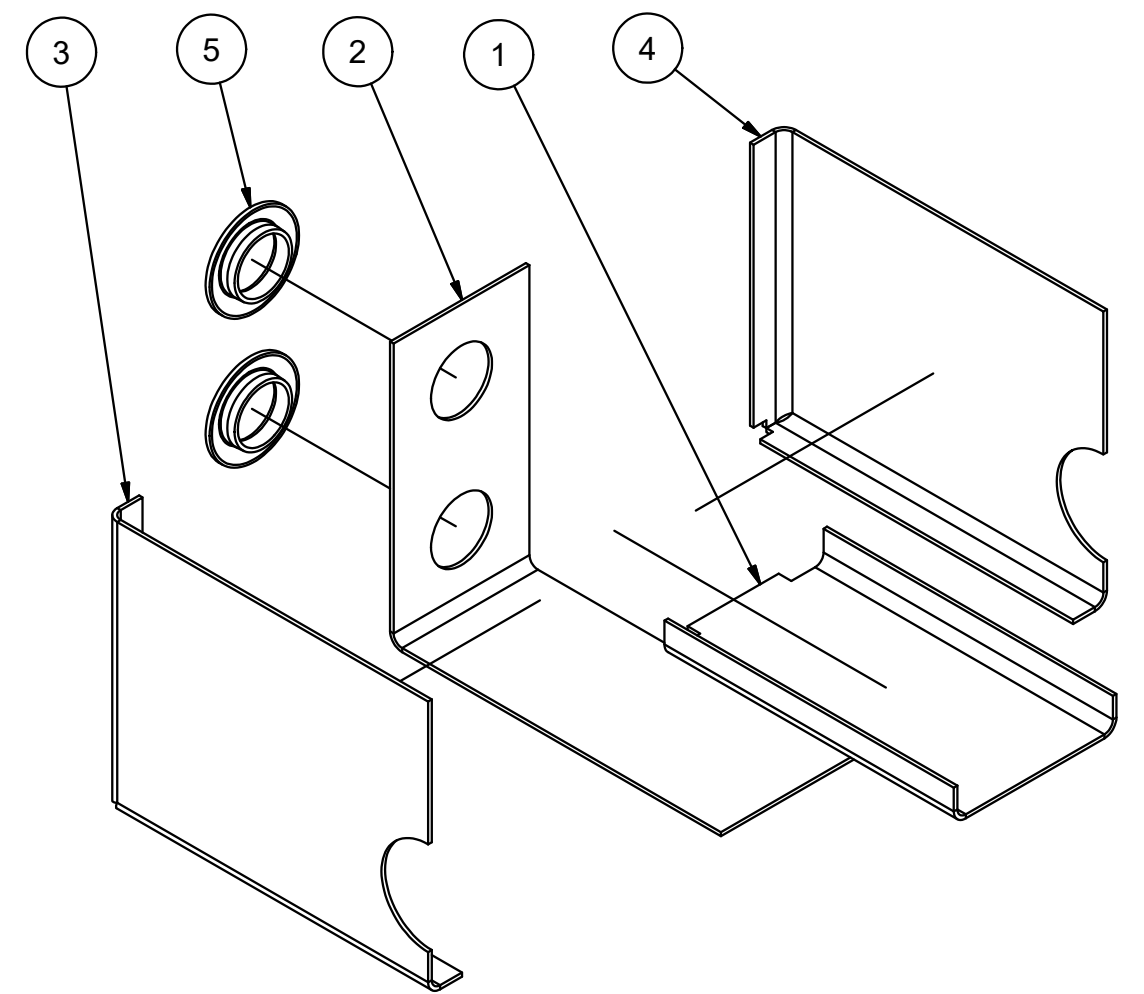
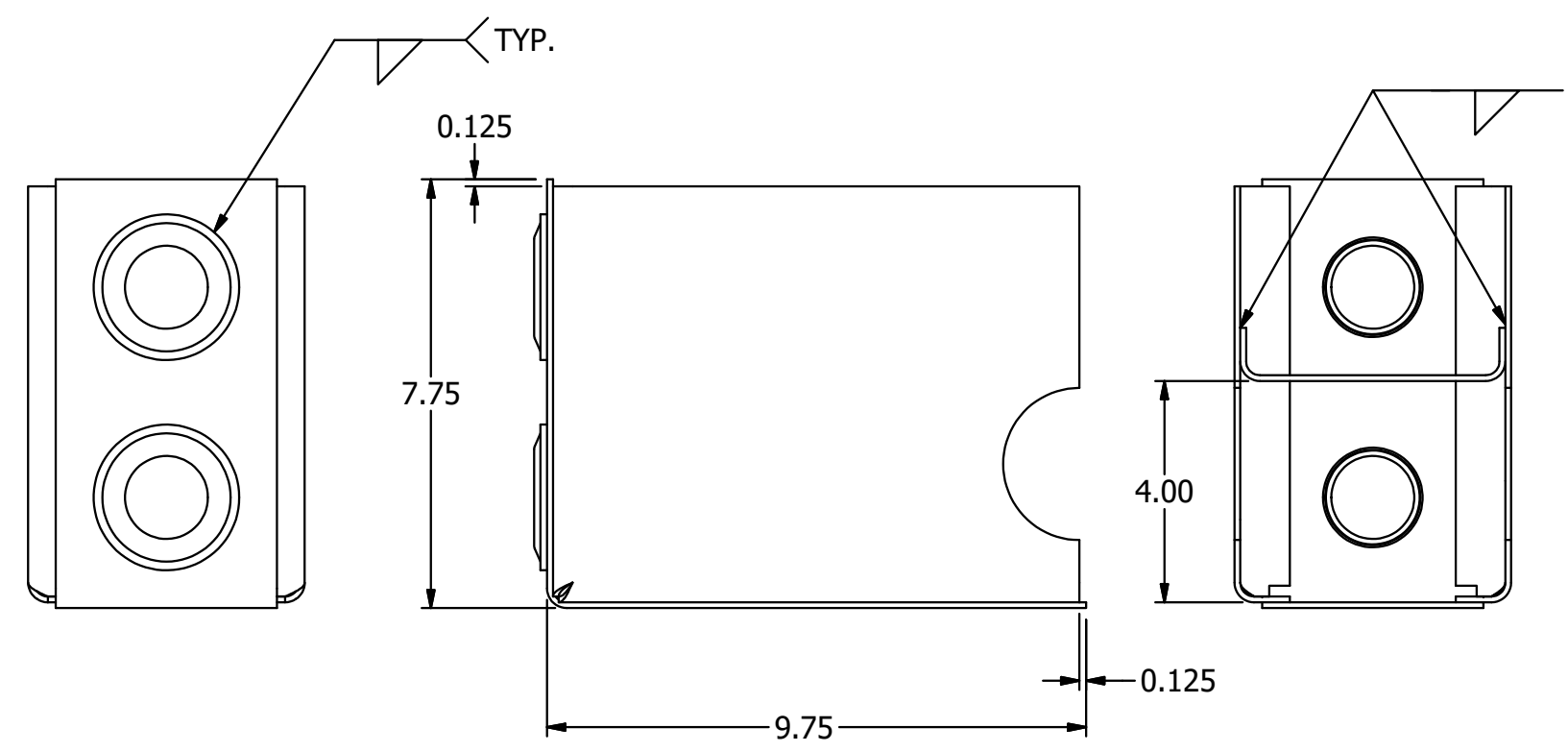
B

B



A

A



AMERICAN MOBILE POWER PH: (800) 634-8265 FAX: (765) 948-3403	DRAWING BY: BPKNIGHT	DESIGN FOR: A.M.P.	FILE NAME: A3525-DS90-ST	
	COMPLETED: 3/7/2013		SHEET: 4 of 10	SHEET SIZE: B

4

3

2

1