

4

3

2

1

Parts List

ITEM	QTY	PART NUMBER	DESCRIPTION
1	2	0500BBS	Black Buffer Seal 1.0 OD x .5 ID x .10 Neoprene
2	2	24107	Button Head, Hex, 1/2-13 UNC x 0.75
3	1	57XL-40	40 Micron FILL w/30 Mesh Stainless Strainer
4	1	ABA-138	3/8" NPT VENT
5	1	APP1250	1 1/4" NPT SQUARE SOCKET PLUG
6	1	N_A3500-ST	NAM WELDMENT ~72.8 lbs
7	1	T-LLG-5	SIGHT/TEMP. GAUGE, 5"

AMP PARTS INCLUDE:

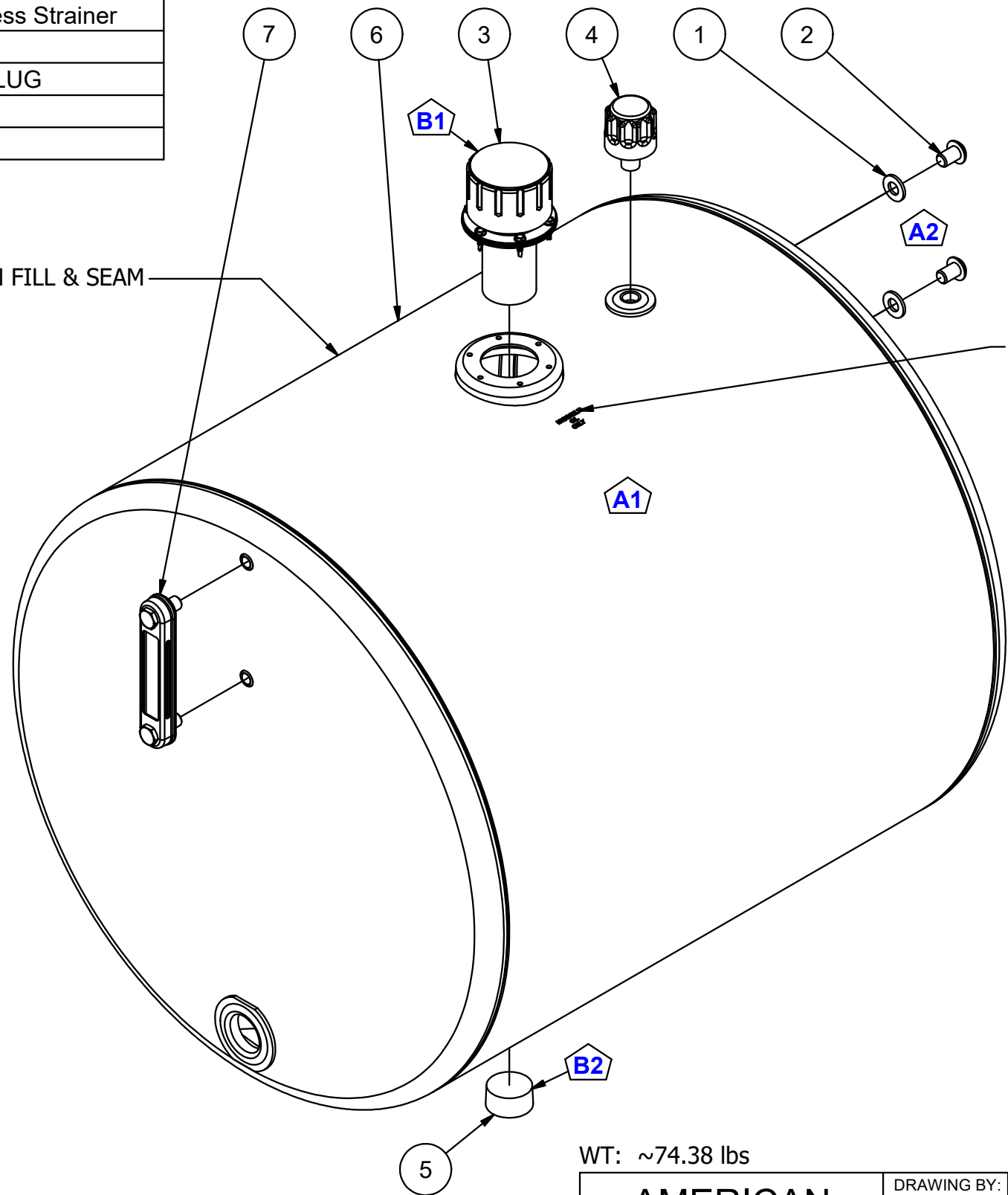
B -AMK-624-C MOUNTING KIT (STD) OR -S (UPGRADE)

NOTES:

- POWDER COAT BLACK
- APPLY RUST INHIBITOR INSIDE
- PLUG ALL PORTS FOR SHIPMENT

S/N BETWEEN FILL & SEAM

HYDRAULIC OIL ONLY



WT: ~74.38 lbs

DATE	SYM.	DESCRIPTION	BY
12-5-16	B	(1) WAS 57XL-40N; 2) SHOW PLUG	BPK
12-10-07	A2	Was O-Ring, STL FLT Washer, HHCS	BPK
12-10-07	A1	ADD "HYDRAULIC OIL ONLY" STAMP	BPK

<b>AMERICAN MOBILE POWER</b> PH: (800) 634-8265 FAX: (765) 948-3403	DRAWING BY: <b>BPKNIGHT</b>	DESIGN FOR: <b>A.M.P.</b>	FILE NAME: <b>A3500-ST</b>	
	COMPLETED: <b>3/24/2005</b>		SHEET: <b>1 of 5</b>	SHEET SIZE: <b>B</b>

4

3

2

1

A

A

4

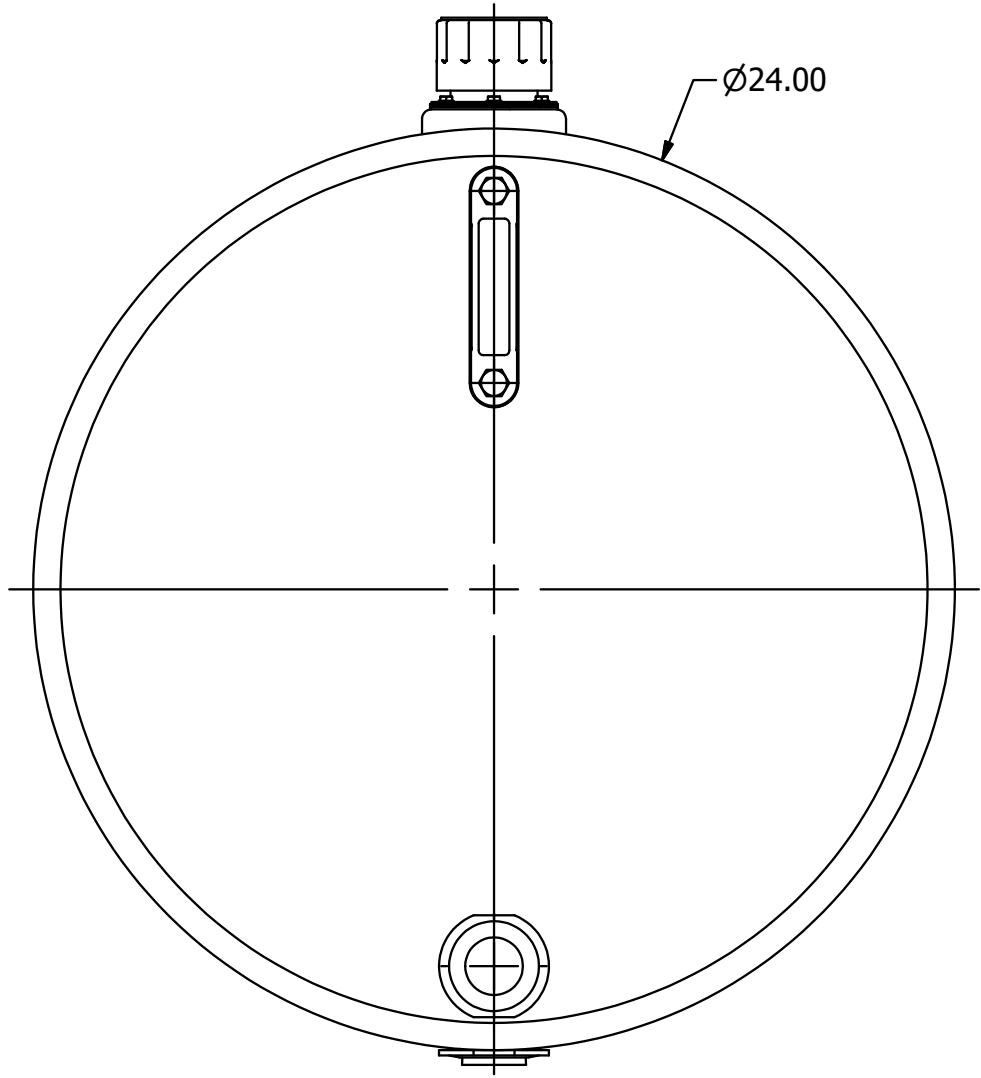
3

2

1

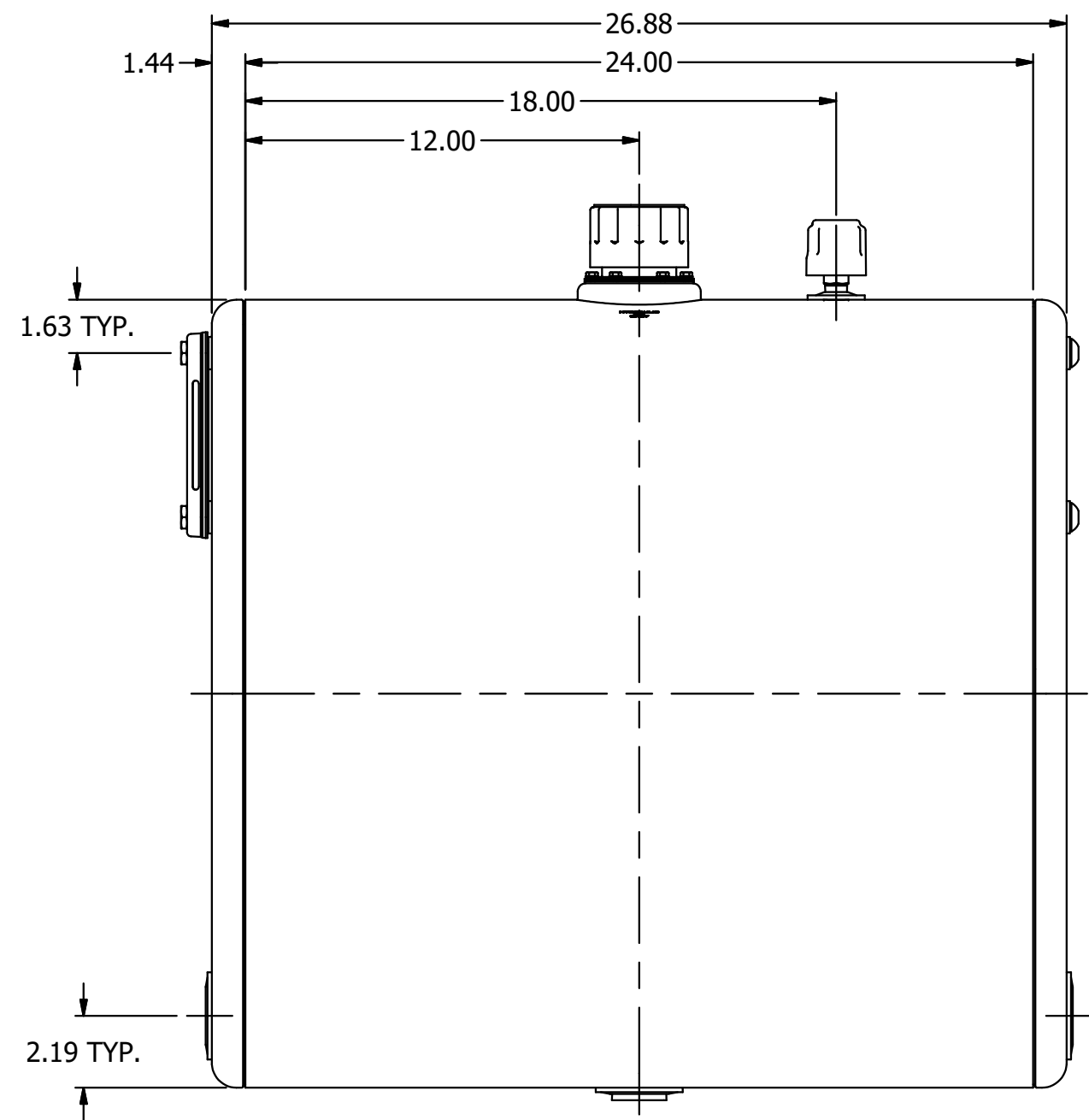
B

B



A

A



<b>AMERICAN MOBILE POWER</b> PH: (800) 634-8265 FAX: (765) 948-3403	DRAWING BY: <b>BPKNIGHT</b>	DESIGN FOR: <b>A.M.P.</b>	FILE NAME: <b>A3500-ST</b>	
	COMPLETED: <b>3/24/2005</b>		SHEET: <b>2 of 5</b>	SHEET SIZE: <b>B</b>

4

3

2

1

4

3

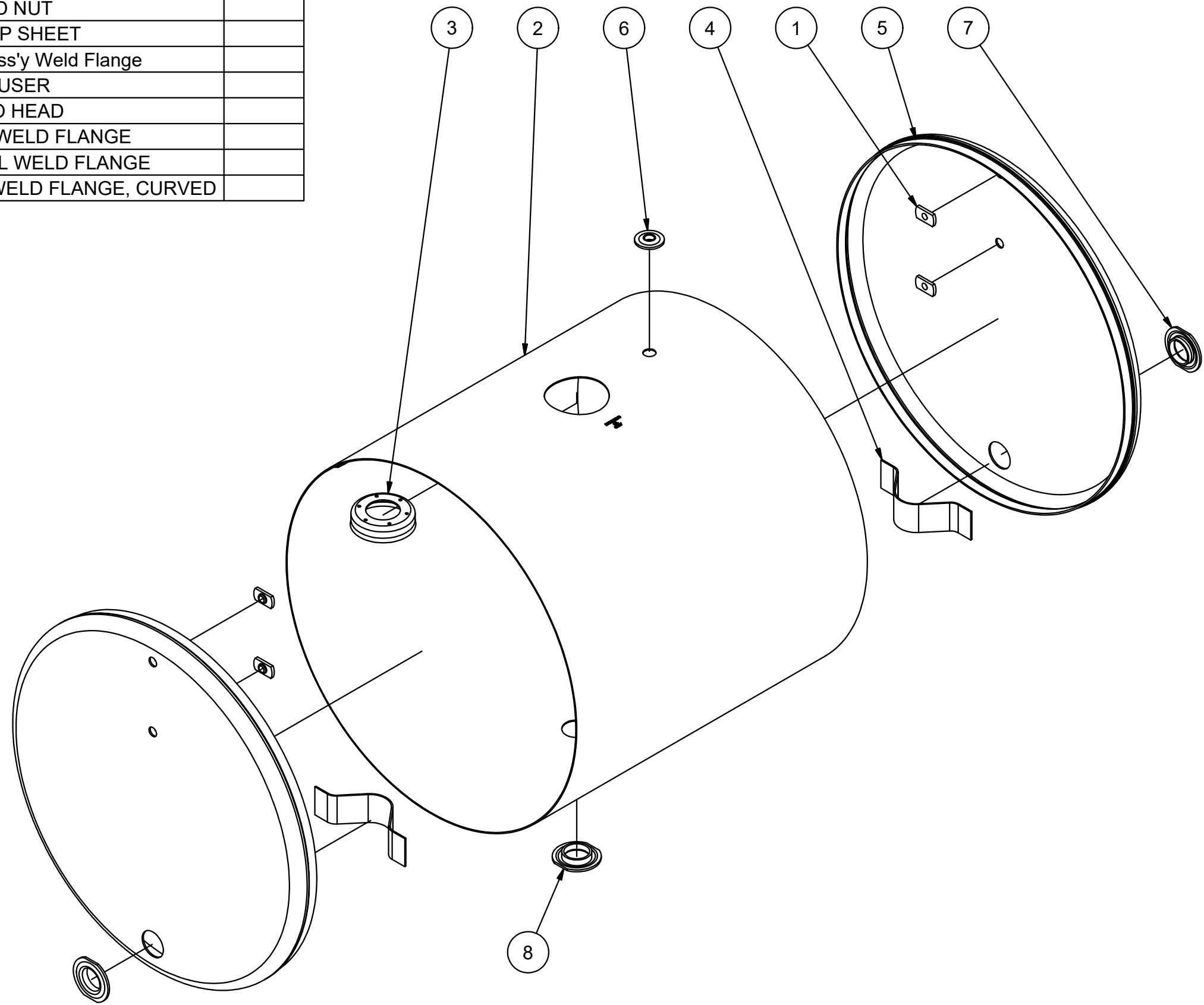
2

1

Parts List

ITEM	QTY	PART NUMBER	DESCRIPTION	Fab Qty
1	4	0500-13-FWN	1/2"-13 UNC WELD NUT	
2	1	A3500WS	14 GA HRPO WRAP SHEET	
3	1	AFS-301	13 GA HRPO Fill Ass'y Weld Flange	
4	3	DIFFUSER-ST	13 GA HRPO DIFFUSER	
5	2	SS1250ST	24 IN, 13 GA HRPO HEAD	
6	1	SWF0375	3/8" NPTF STEEL WELD FLANGE	
7	2	SWF1250	1 1/4" NPSC STEEL WELD FLANGE	
8	1	SWF1250C	1 1/4" NPSC STL WELD FLANGE, CURVED	

NOTES:  
 -POWDER COAT BLACK  
 -APPLY RUST INHIBITOR INSIDE  
 -PLUG ALL PORTS FOR SHIPMENT



B

B

A

A

<b>AMERICAN MOBILE POWER</b> PH: (800) 634-8265 FAX: (765) 948-3403	DRAWING BY: <b>BPKNIGHT</b>	DESIGN FOR: <b>A.M.P.</b>	FILE NAME: <b>A3500-ST</b>	
	COMPLETED: <b>3/24/2005</b>		SHEET: <b>3 of 5</b>	SHEET SIZE: <b>B</b>

4

3

2

1