

4

3

2

1

Parts List

ITEM	QTY	PART NUMBER	DESCRIPTION
1	2	0500BBS	Black Buffer Seal 1.0 OD x .5 ID x .10 Neoprene
2	2	24107	Button Head, Hex, 1/2-13 UNC x 0.75
3	1	57XL-40	40 Micron FILL w/30 Mesh Stainless Strainer
4	1	AFC-507	FILTER PORT COVER 6.25 DIA. B.C.
5	1	APP2000	2" NPT SQUARE SOCKET PLUG
6	1	N_A3500-2STRF	NAM WELDMENT ~75.67 lbs
7	1	T-LLG-5	SIGHT/TEMP. GAUGE, 5"

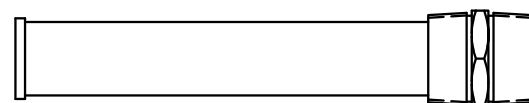
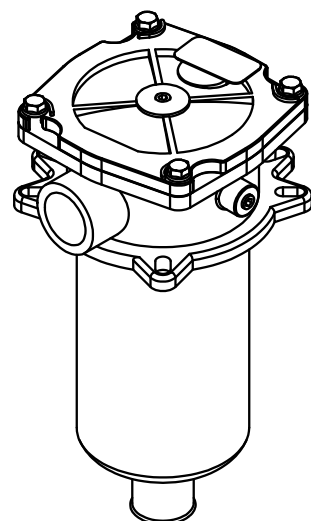
A3

B AMP PARTS INCLUDE:  
 -AMK-624-C MOUNTING KIT (STD) OR -S (UPGRADE)

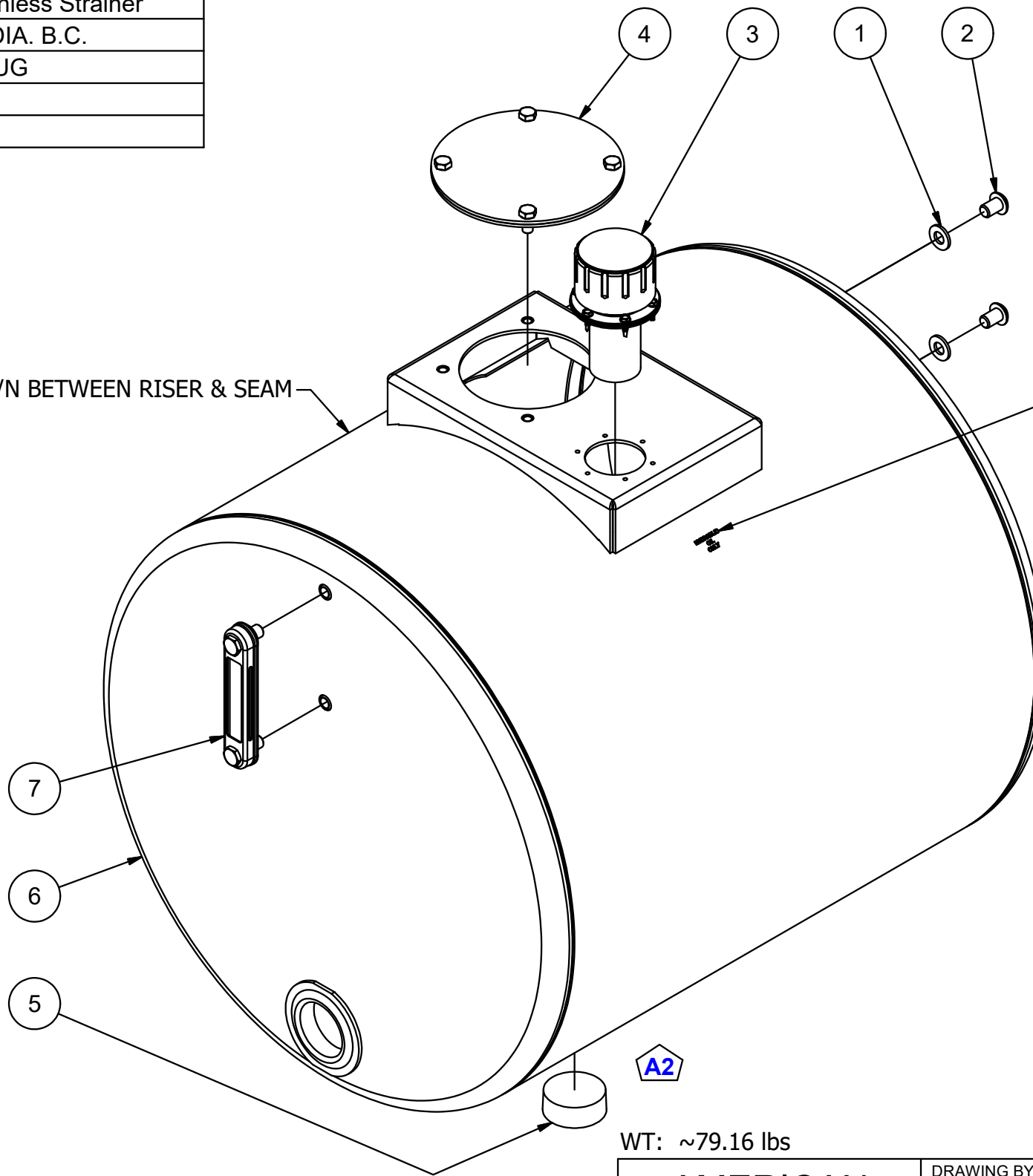
NOTES:  
 -POWDER COAT BLACK  
 -APPLY RUST INHIBITOR INSIDE  
 -PLUG ALL PORTS FOR SHIPMENT

S/N BETWEEN RISER & SEAM

HYDRAULIC OIL ONLY



\* ON ORDER ONLY: LIT-1250-10P IN-TANK RETURN FILTER  
 LTF-32-32R5 SUCTION STRAINER



A2

WT: ~79.16 lbs

**AMERICAN  
MOBILE POWER**  
 PH: (800) 634-8265 FAX: (765) 948-3403

DRAWING BY:  
BPKNIGHT  
 COMPLETED:  
1/6/2010

DESIGN FOR:  
A.M.P.

FILE NAME:  
A1 A3500-2STRF  
 SHEET: 1 of 5  
 SHEET SIZE: B

DATE	SYM.	DESCRIPTION	BY
10-3-18	A	(1) WAS A3500RF; 2) SHOW Plug; 3) Rev Parts List	BPK

4

3

2

1

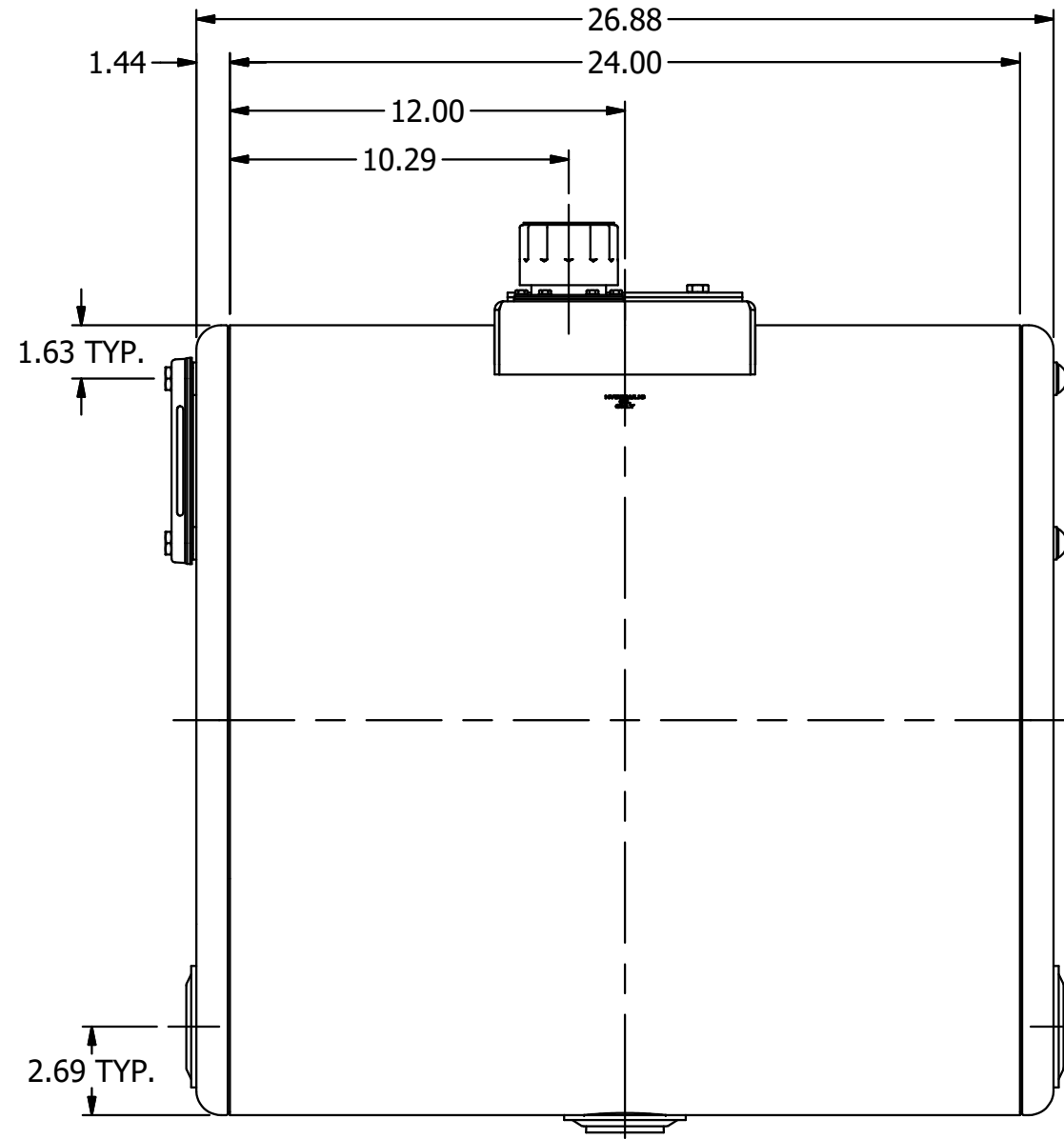
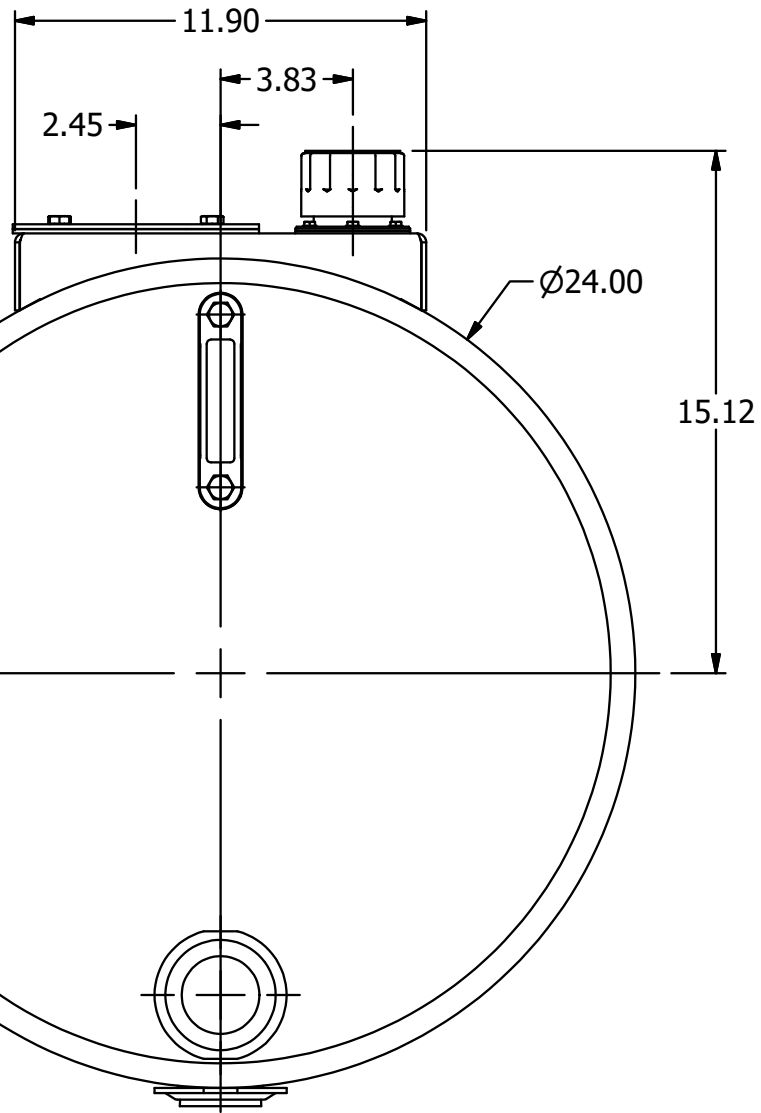
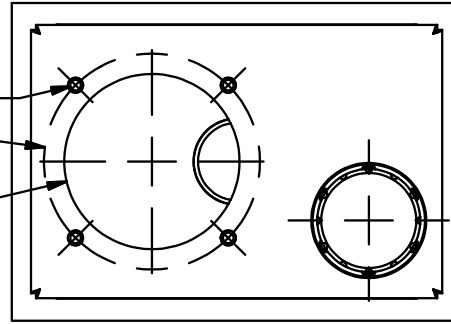
4

3

2

1

3/8-16 UNC - 2B  
 Ø6.25 B.C.  
 Ø5.07



<b>AMERICAN MOBILE POWER</b> <small>PH: (800) 634-8265 FAX: (765) 948-3403</small>	DRAWING BY: <b>BPKNIGHT</b>	DESIGN FOR: <b>A.M.P.</b>	FILE NAME: <b>A3500-2STRF</b>	
	COMPLETED: <b>1/6/2010</b>		SHEET: <b>2 of 5</b>	SHEET SIZE: <b>B</b>

4

3

2

1

B

B

A

A

4

3

2

1

Parts List

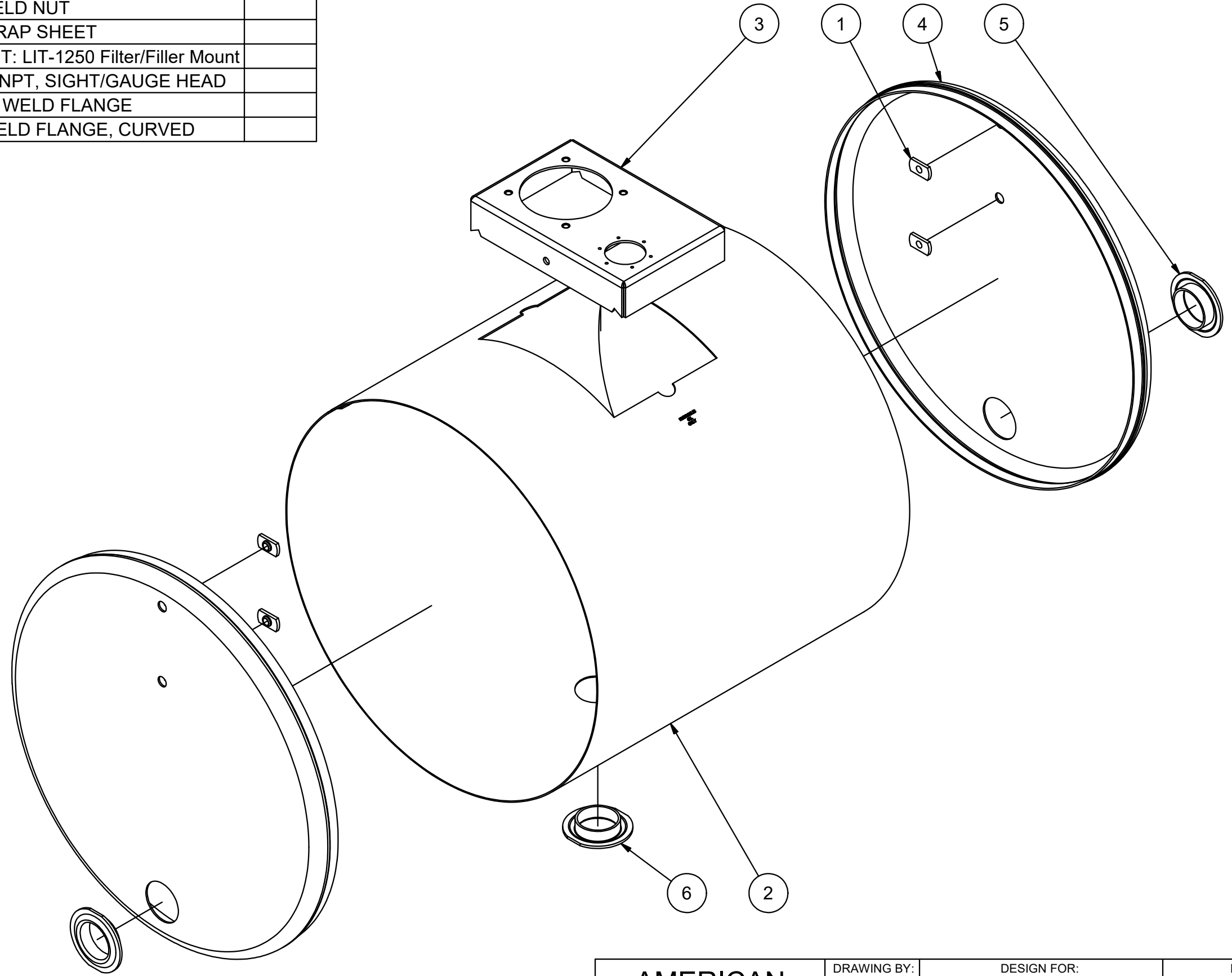
ITEM	QTY	PART NUMBER	DESCRIPTION	Fab Qty
1	4	0500-13-FWN	1/2"-13 UNC WELD NUT	
2	1	A3500-2STRFW	14 GA HRPO WRAP SHEET	
3	1	N_A35RF12FBM	NAM WELDMENT: LIT-1250 Filter/Filler Mount	
4	2	SS2000ST	13 GA HRPO 2" NPT, SIGHT/GAUGE HEAD	
5	2	SWF2000	2" NPSC STEEL WELD FLANGE	
6	1	SWF2000C	2" NPSC STL WELD FLANGE, CURVED	

B

B

A

A



<b>AMERICAN MOBILE POWER</b> PH: (800) 634-8265 FAX: (765) 948-3403	DRAWING BY: <b>BPKNIGHT</b>	DESIGN FOR: <b>A.M.P.</b>	FILE NAME: <b>A3500-2STRF</b>	
	COMPLETED: <b>1/6/2010</b>		SHEET: <b>3 of 5</b>	SHEET SIZE: <b>B</b>

4

3

2

1