

4

3

2

1

Parts List

ITEM	QTY	PART NUMBER	DESCRIPTION
1	2	0500BBS	Black Buffer Seal 1.0 OD x .5 ID x .10 Neoprene
2	2	24107	Button Head, Hex, 1/2-13 UNC x 0.75
3	1	57XL-40	40 Micron FILL w/30 Mesh Stainless Strainer
4	1	ABA-138	3/8" NPT VENT
5	1	APP0750-M	3/4" NPT MAG PLUG
7	1	N_A3500-2S90-ST	NAM WELDMENT ~84 lbs
8	1	T-LLG-5	SIGHT/TEMP. GAUGE, 5"

AMP PARTS INCLUDE:

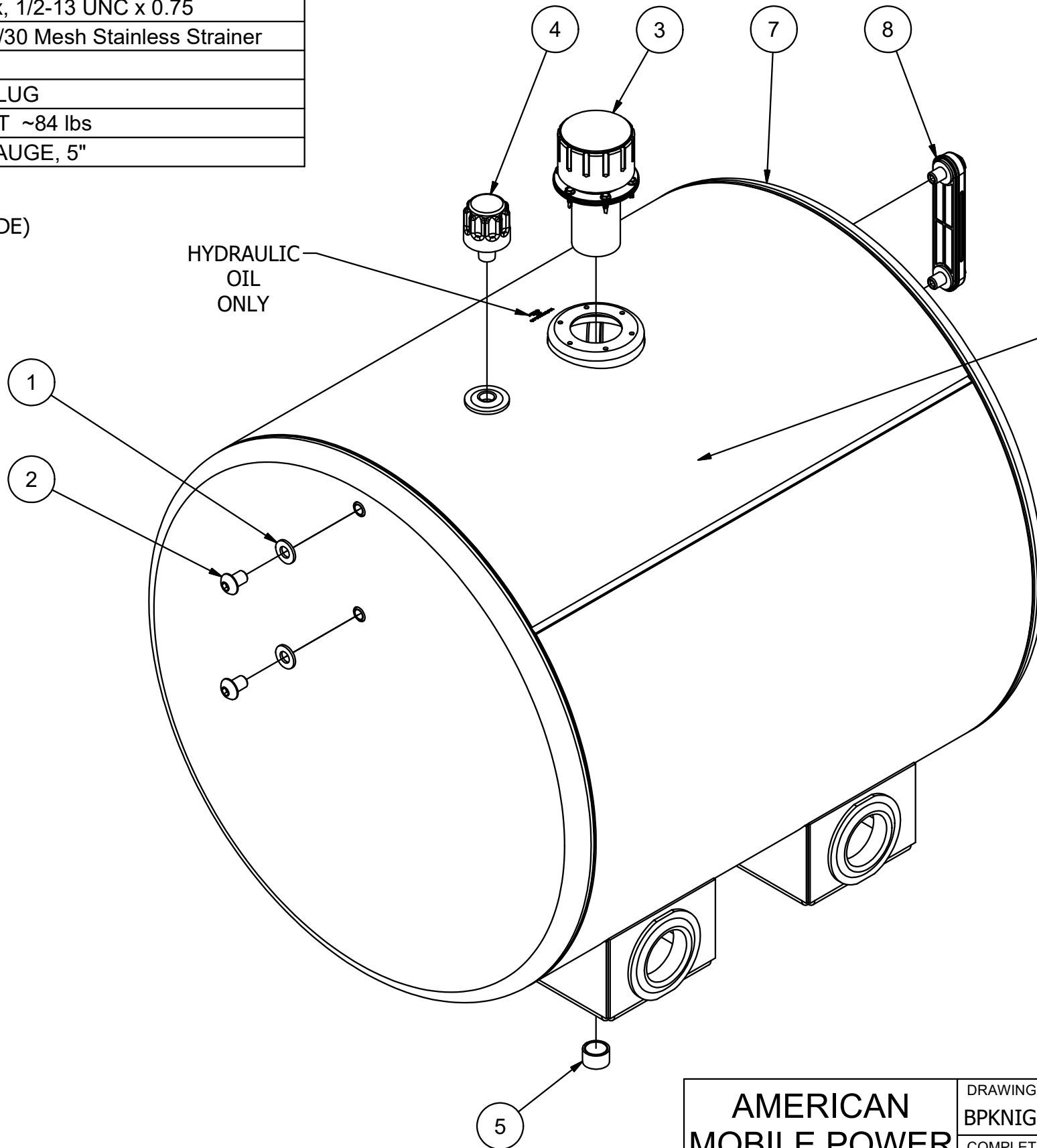
-AMK-624-C MOUNTING KIT (STD) OR -S (UPGRADE)

NOTE:

-PLUG ALL PORTS FOR SHIPMENT

HYDRAULIC OIL ONLY

S/N BETWEEN FILL & SEAM



**AMERICAN MOBILE POWER**

PH: (800) 634-8265 FAX: (765) 948-3403

DRAWING BY:  
BPKNIGHT

COMPLETED:  
6/1/2011

DESIGN FOR:  
A.M.P.

FILE NAME:  
A3500-2S90-ST

SHEET:  
1 of 6

SHEET SIZE:  
B

4

3

2

1

B

B

A

A



4

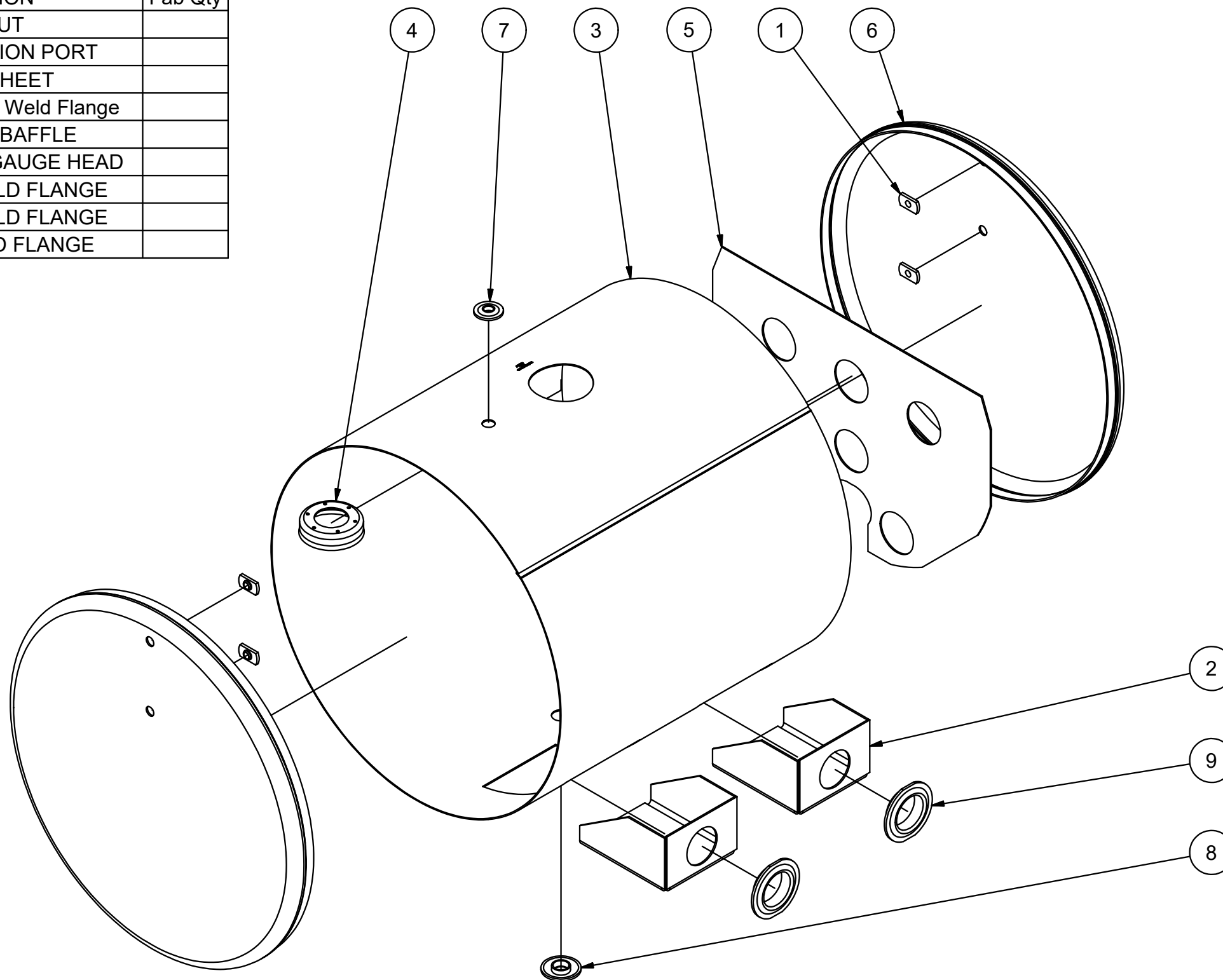
3

2

1

Parts List

ITEM	QTY	PART NUMBER	DESCRIPTION	Fab Qty
1	4	0500-13-FWN	1/2"-13 UNC WELD NUT	
2	2	A3500-2S90SP	12 GA HRPO 2" SUCTION PORT	
3	1	A3500-2S90WS	14 GA HRPO WRAP SHEET	
4	1	AFS-301	13 GA HRPO Fill Ass'y Weld Flange	
5	1	SS0000BF	13 GA HRPO ROUND BAFFLE	
6	2	SS0000ST	13 GA HRPO SIGHT/GAUGE HEAD	
7	1	SWF0375	3/8" NPTF STEEL WELD FLANGE	
8	1	SWF0750	3/4" NPTF STEEL WELD FLANGE	
9	2	SWF2000	2" NPSC STEEL WELD FLANGE	



B

B

A

A

4

3

2

1

<b>AMERICAN MOBILE POWER</b> PH: (800) 634-8265 FAX: (765) 948-3403	DRAWING BY: <b>BPKNIGHT</b>	DESIGN FOR: <b>A.M.P.</b>	FILE NAME: <b>A3500-2S90-ST</b>	
	COMPLETED: <b>6/1/2011</b>		SHEET: <b>3 of 6</b>	SHEET SIZE: <b>B</b>