

4

3

2

1

Parts List

ITEM	QTY	PART NUMBER	DESCRIPTION
1	1	57XL-40	40 Micron FILL w/30 Mesh Stainless Strainer
2	1	APP0750-M	3/4" NPT MAG PLUG
3	1	APP1250	1 1/4" NPT SQUARE SOCKET PLUG
4	1	APP2000	2" NPT SQUARE SOCKET PLUG
5	1	N_A3400	NAM WELDMENT ~111.1 lbs
6	1	T-LLG-5	SIGHT/TEMP. GAUGE, 5"

B

NOTES:

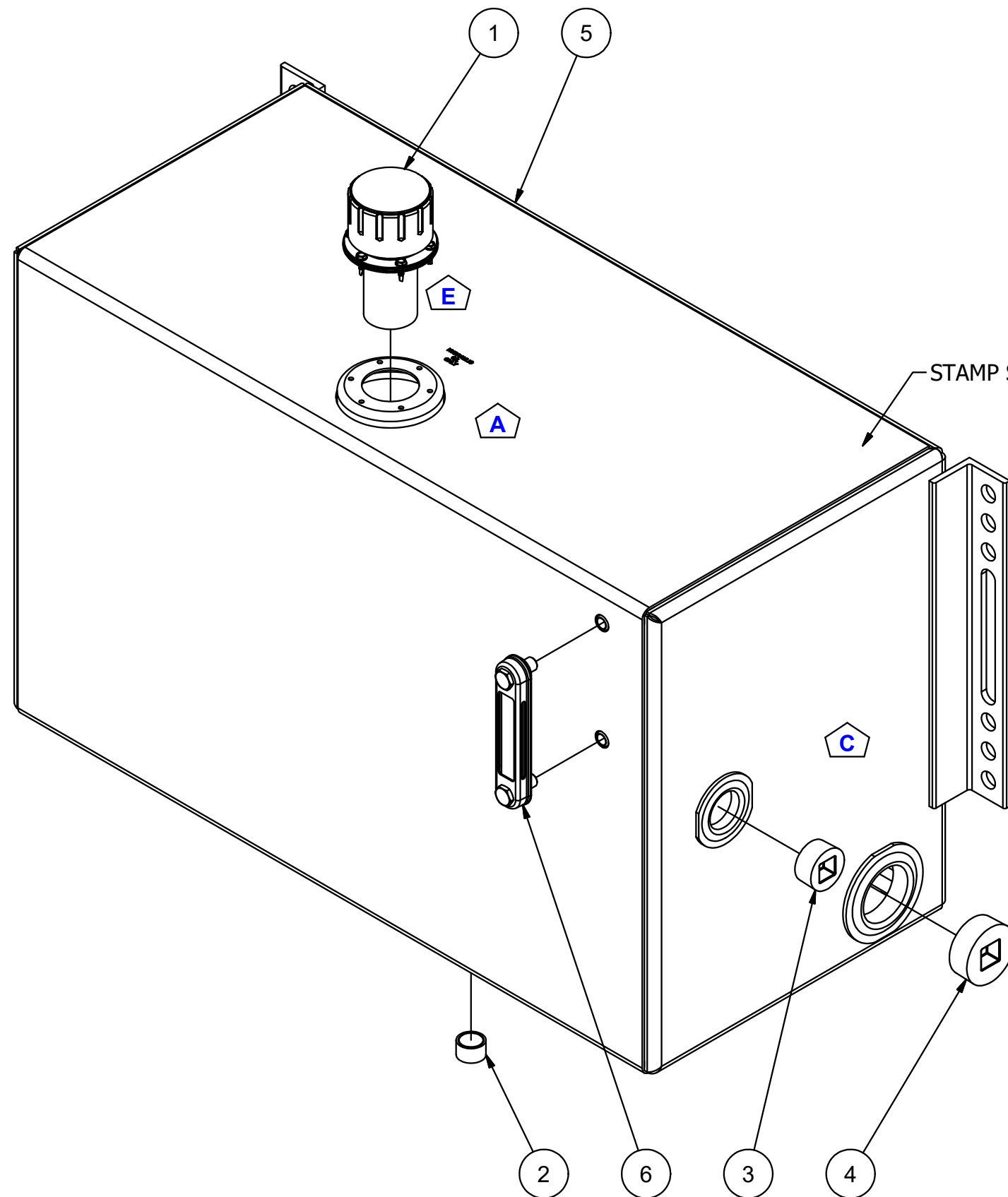
- POWDER COAT BLACK
- APPLY RUST INHIBITOR INSIDE
- PLUG ALL PORTS FOR SHIPMENT

B

B

A

A



STAMP SERIAL No. HERE

WT: ~113.35 lbs

DATE	SYM.	DESCRIPTION	BY
9-13-18	N/A	ADDED S/N NOTE	BPK
6-3-16	E	FILL WAS 57XL-40N	BPK
9-7-11	D	ADD TOP & BACK STIFFENERS	BPK
8-2-11	C	REMOVED SIDE STRAPS	BPK
7-8-11	B	UPDATED PART NUMBERS	BPK
8-13-07	A	ADDED "HYDRAULIC OIL ONLY" STAMP	BPK

AMERICAN MOBILE POWER PH: (800) 634-8265 FAX: (765) 948-3403	DRAWING BY: MRH	DESIGN FOR: AMP	FILE NAME: A3400	
	COMPLETED: 1/10/2001		SHEET: 1 of 8	SHEET SIZE: B

4

3

2

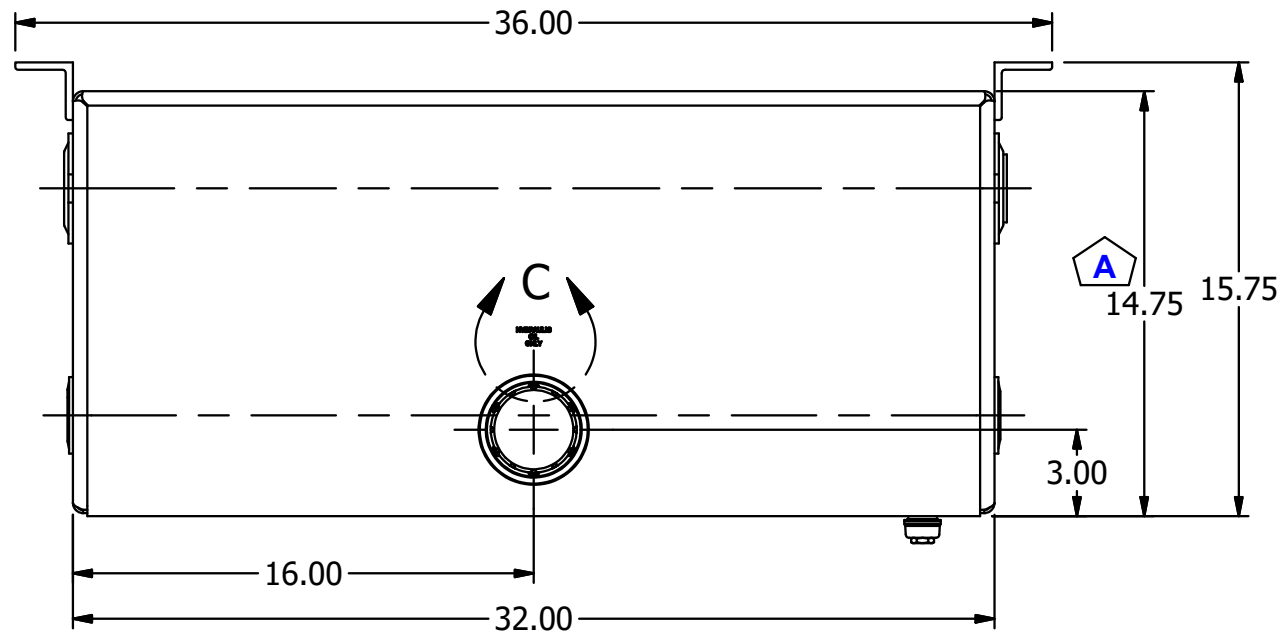
1

4

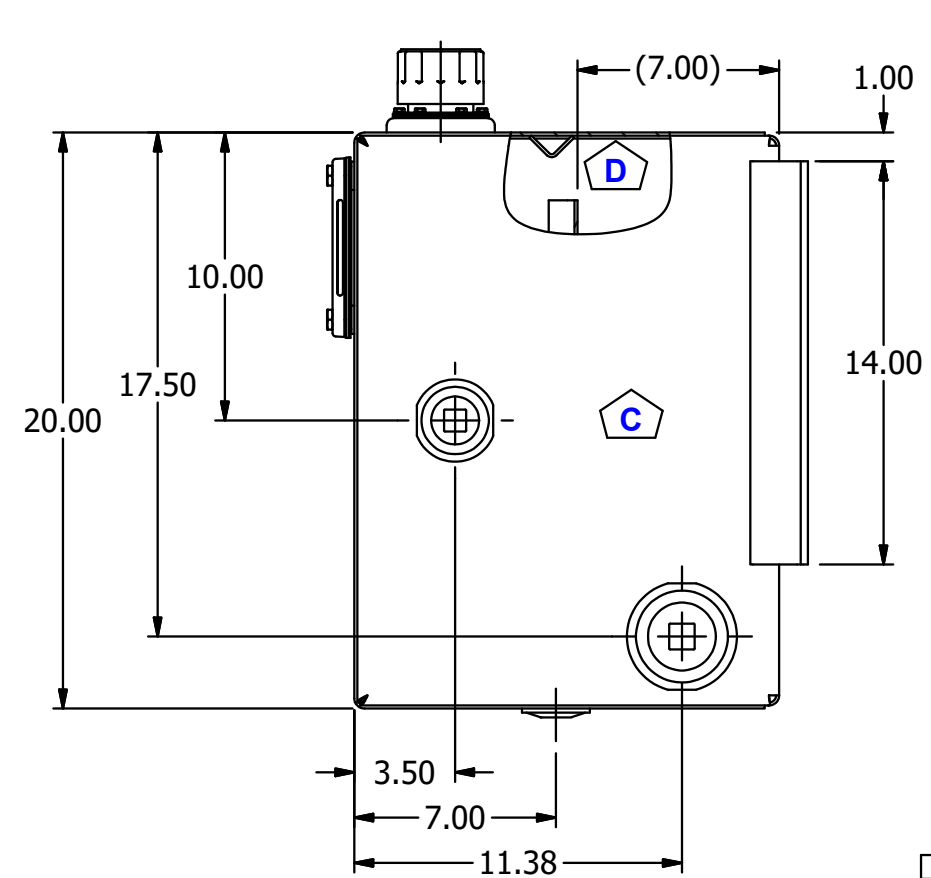
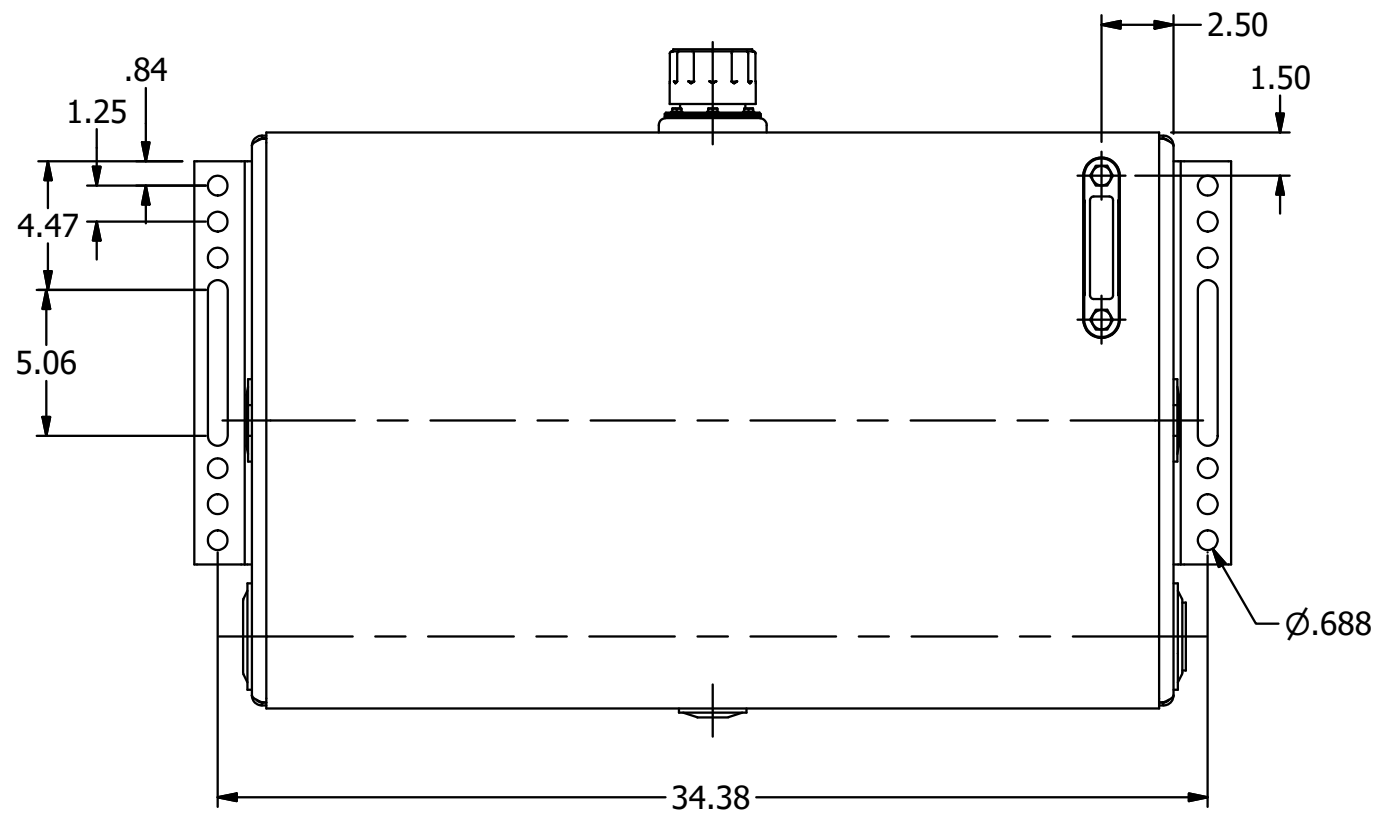
3

2

1



DETAIL C
SCALE .75



DATE	SYM.	DESCRIPTION	BY
9-7-11	D	ADD TOP STIFFENER	BPK
8-2-11	C	REMOVED SIDE STRAPS	BPK
3/17/05	A	DEPTH WAS 14.87	BPK

REVISIONS

AMERICAN MOBILE POWER PH: (800) 634-8265 FAX: (765) 948-3403	DRAWING BY: MRH	DESIGN FOR: AMP	FILE NAME: A3400	
	COMPLETED: 1/10/2001		SHEET: 2 of 8	SHEET SIZE: B

4

3

2

1

B

B

A

A

4

3

2

1

Parts List

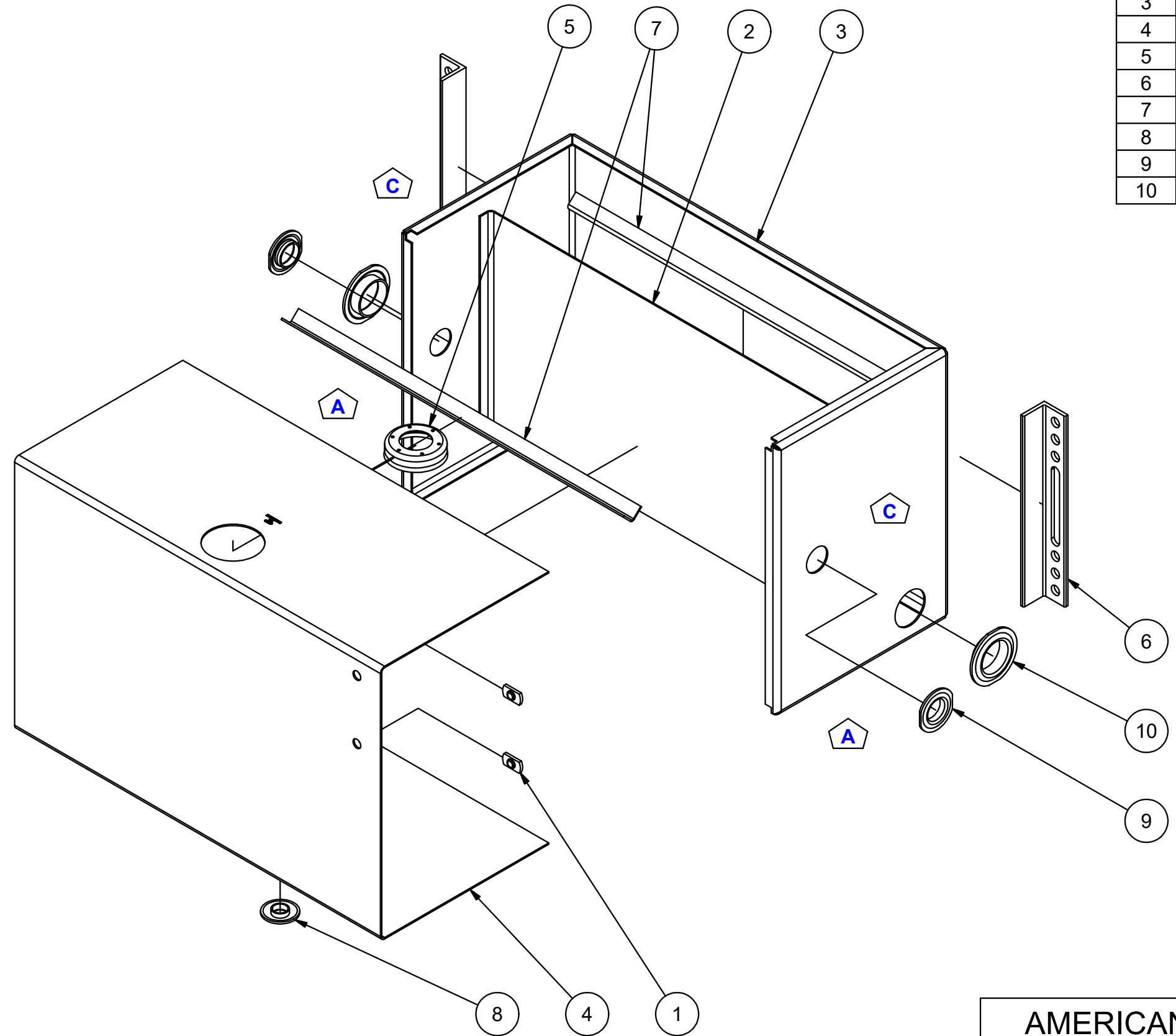
ITEM	QTY	PART NUMBER	DESCRIPTION	Fab Qty
1	2	0500-13-FWN	1/2"-13 UNC WELD NUT	
2	1	A3400BF	12 GA HRPO BAFFLE	
3	1	A3400BS	12 GA HRPO SIDE-BACK-SIDE	
4	1	A3400FS	12 GA HRPO TOP-FRONT-BOTTOM	
5	1	AFS-301	13 GA HRPO Fill Ass'y Weld Flange	
6	2	ANGLE14MFG	2 X 2 X 1/4" MFG ANGLE	
7	2	ASTF12-3290	12 GA HRPO x 29 STIFFENER	
8	1	SWF0750	3/4" NPTF STEEL WELD FLANGE	
9	2	SWF1250	1 1/4" NPSC STEEL WELD FLANGE	
10	2	SWF2000	2" NPSC STEEL WELD FLANGE	

B

B

A

A



DATE	SYM.	DESCRIPTION	BY
9-7-11	D	ADD TOP & BACK STIFFENERS	BPK
8-2-11	C	REMOVED SIDE STRAPS	BPK
4/3/08	A	REMOVED 6" ANGLE FROM BOTH SIDES	MRH
6-23-06	N/A	DEMOTED TANK TO NAM ASS'Y	BPK
3/17/05	N/A	UPDATED ASSEMBLY AND PARTS LIST	BPK

REVISIONS

AMERICAN MOBILE POWER PH: (800) 634-8265 FAX: (765) 948-3403	DRAWING BY: MRH	DESIGN FOR: AMP	FILE NAME: A3400	
	COMPLETED: 1/10/2001		SHEET: 3 of 8	SHEET SIZE: B

4

3

2

1