

4

3

2

1

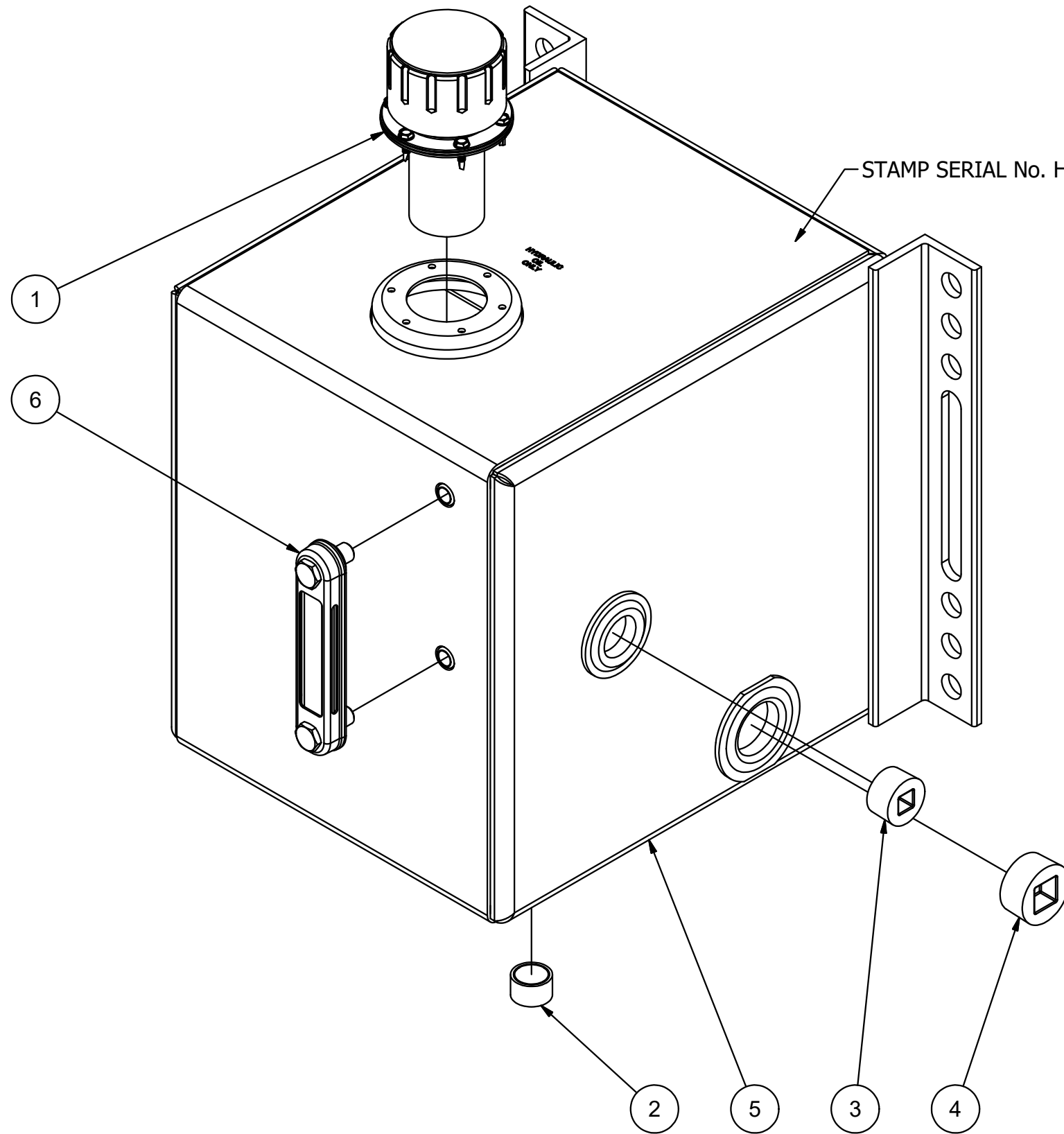
Parts List

ITEM	QTY	PART NUMBER	DESCRIPTION
1	1	57XL-40	40 Micron FILL w/30 Mesh Stainless Strainer
2	1	APP0750-M	3/4" NPT MAG PLUG
3	1	APP1000	1" NPT PLUG
4	1	APP1250	1 1/4" NPT SQUARE SOCKET PLUG
5	1	N_A3100	NAM WELDMENT ~43.65 lbs
6	1	T-LLG-5	SIGHT/TEMP. GAUGE, 5"

NOTES:

- POWDER COAT BLACK
- APPLY RUST INHIBITOR INSIDE
- PLUG ALL PORTS FOR SHIPMENT

STAMP SERIAL No. HERE



DATE	SYM.	DESCRIPTION	BY
7-11-18	N/A	ADDED SERIAL No. NOTE	BPK
7-13-07	N/A	ADDED "HYDRAULIC OIL ONLY" STAMP	BPK

WT: ~45.2 lbs

AMERICAN MOBILE POWER PH: (800) 634-8265 FAX: (765) 948-3403	DRAWING BY: MRH	DESIGN FOR: AMP	FILE NAME: A3100	
	COMPLETED: 12/16/2003		SHEET: 1 of 7	SHEET SIZE: B

ALL INFORMATION IN THIS DOCUMENT IS PROPRIETARY TO AMERICAN MOBILE POWER AND SHALL NOT BE COPIED OR REPRODUCED IN ANY FORM WITHOUT PERMISSION.

4

3

2

1

B

B

A

A

4

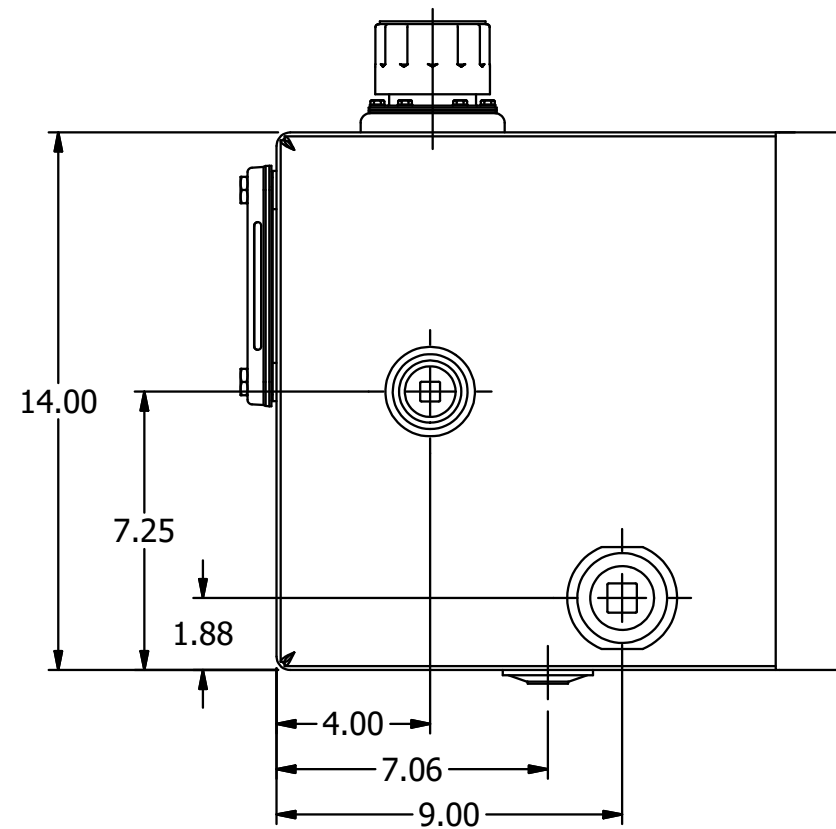
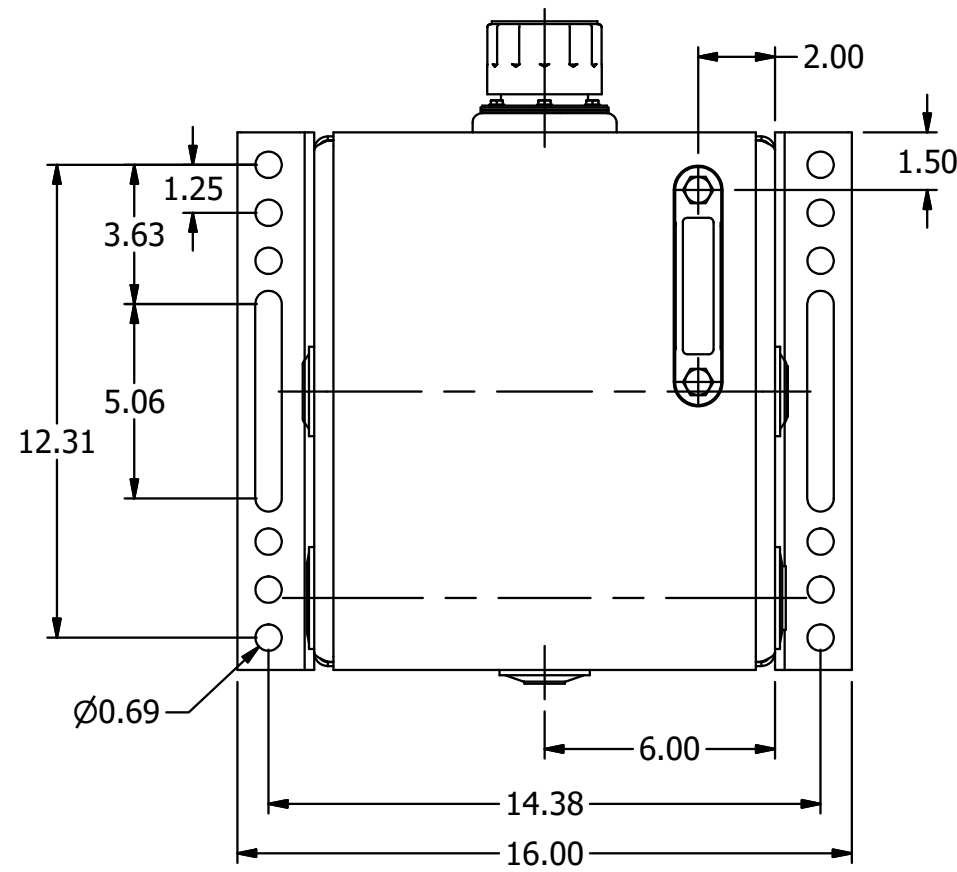
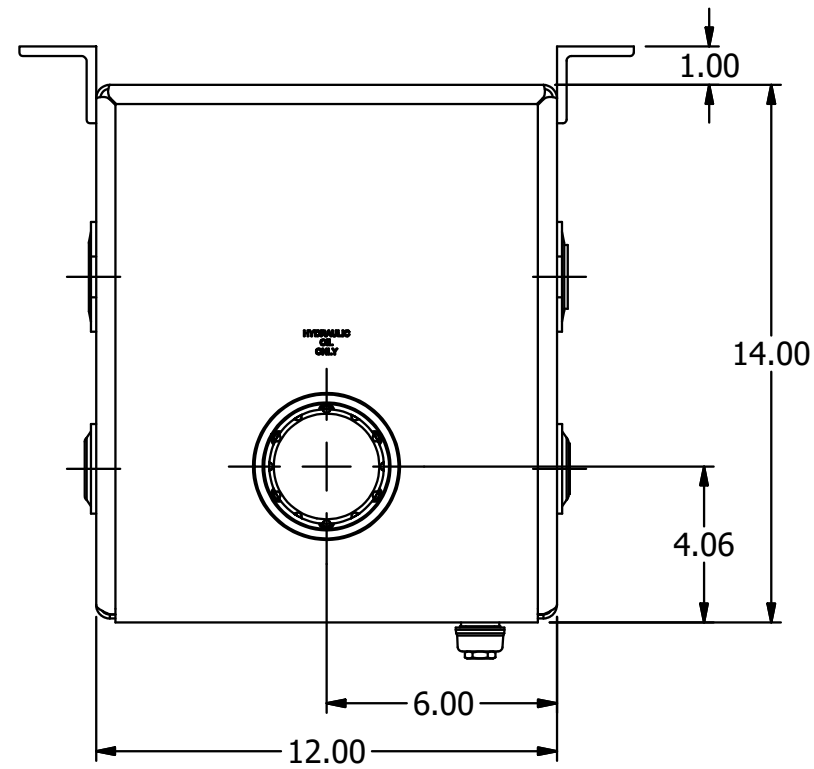
3

2

1

B

B



A

A

ALL INFORMATION IN THIS DOCUMENT IS PROPRIETARY TO AMERICAN MOBILE POWER AND SHALL NOT BE COPIED OR REPRODUCED IN ANY FORM WITHOUT PERMISSION.

AMERICAN MOBILE POWER PH: (800) 634-8265 FAX: (765) 948-3403	DRAWING BY: MRH	DESIGN FOR: AMP	FILE NAME: A3100	
	COMPLETED: 12/16/2003		SHEET: 2 of 7	SHEET SIZE: B

4

3

2

1

