

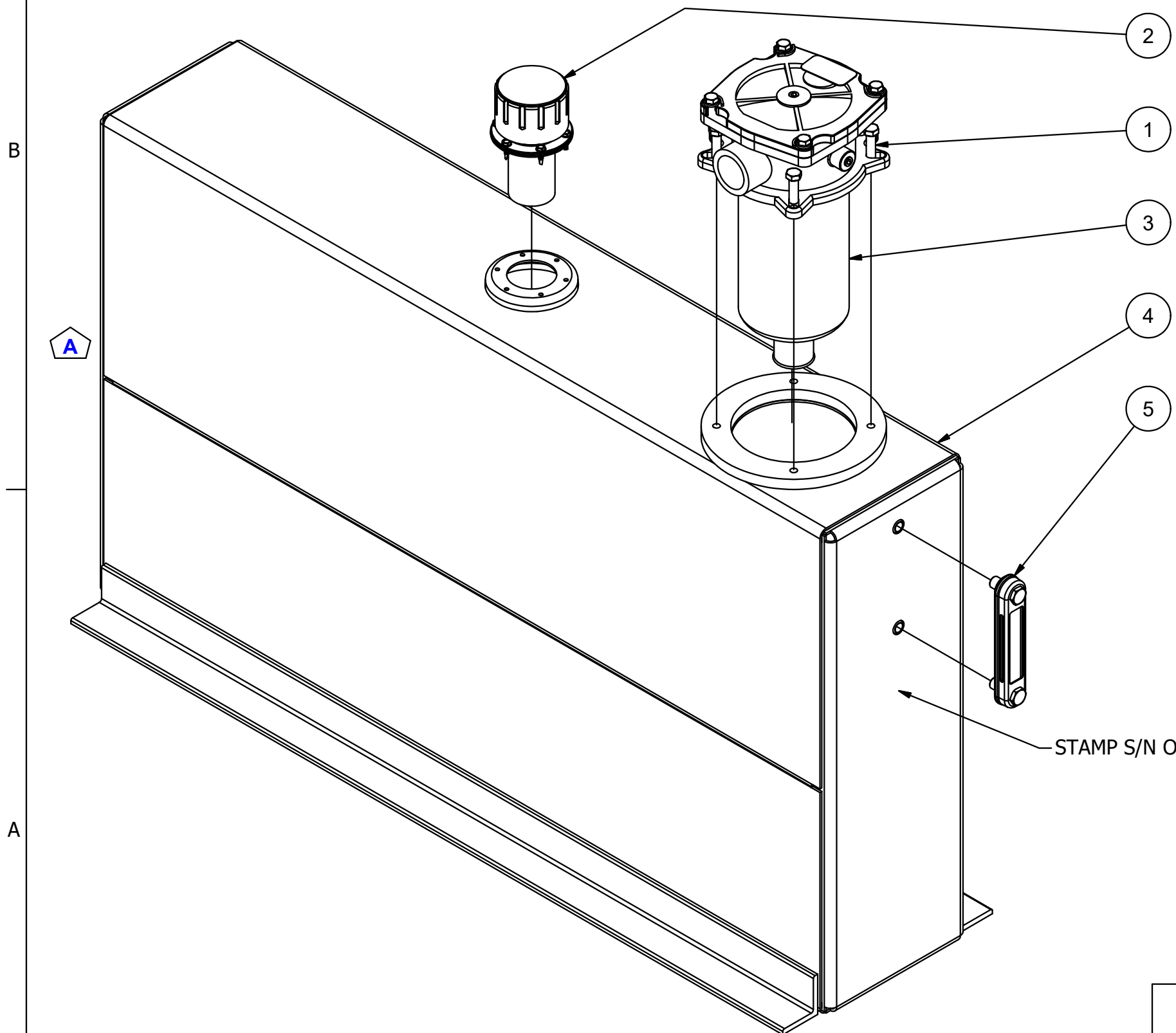
4

3

2

1

Parts List			
ITEM	QTY	PART NUMBER	DESCRIPTION
1	4	13107	3/8-16 UNC x 1.25 Hex Cap Screw
2	1	57XL-40	40 Micron FILL w/30 Mesh Stainless Strainer
3	1	LIT-1250-10P	Return Filter 1 1/4" NPT 10 Micron/25 psi Bypass
4	1	N_A3035-2STRF	NAM WELDMENT 42W24H8D ~127 1/2 lbs
5	1	T-LLG-5	SIGHT/TEMP. GAUGE, 5"



AMP PARTS TO INCLUDE:
-ASK-200 MOUNTING KIT

FILTER IS SHOWN FOR REFERENCE ONLY;
ON ORDER SEPARATELY.

NOTE:
-PLUG ALL PORTS FOR SHIPMENT

DATE	SYM.	DESCRIPTION	BY
9-17-18	N/A	S/N WAS ON BOTTOM OF ANGLE	BPK
6-8-11	A	UPDATE DEPICTION OF OFFSET	BPK

AMERICAN MOBILE POWER PH: (800) 634-8265 FAX: (765) 948-3403	DRAWING BY: BPKNIGHT	DESIGN FOR: AMP	FILE NAME: A3035-2STRF	
	COMPLETED: 10/9/2009		SHEET: 1 of 10	SHEET SIZE: B

4

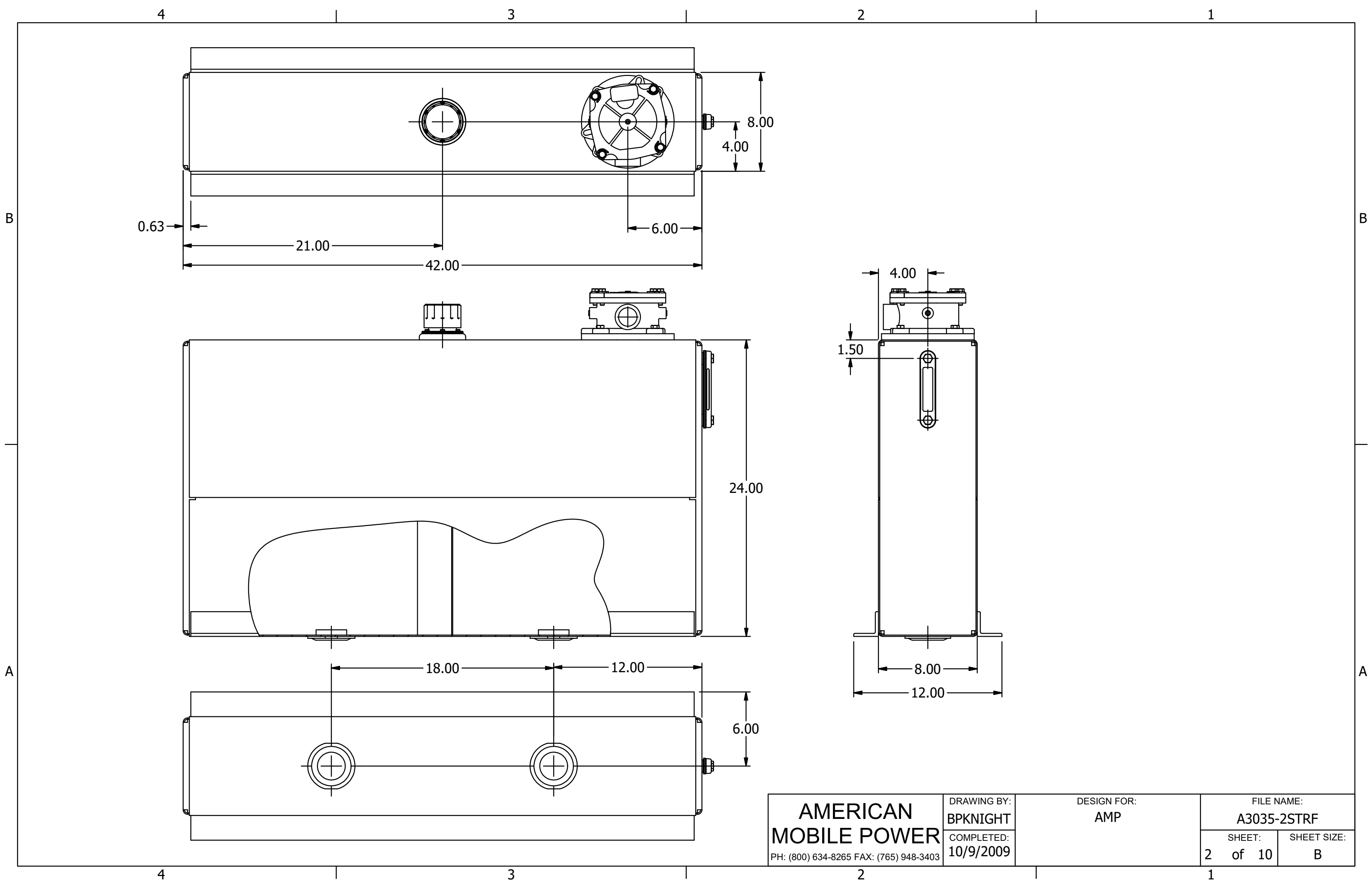
3

2

1

A

A

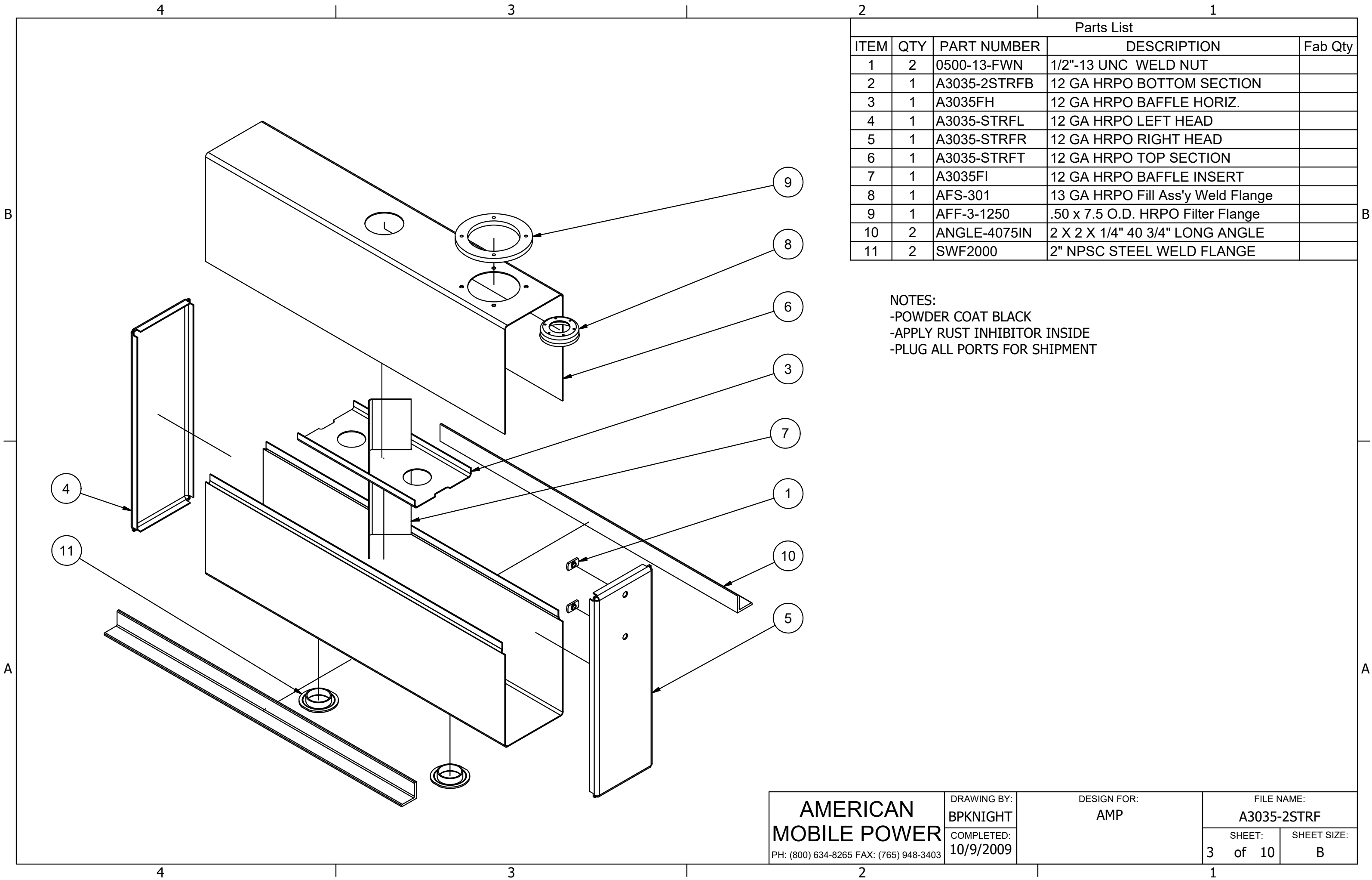


**AMERICAN
MOBILE POWER**
PH: (800) 634-8265 FAX: (765) 948-3403

DRAWING BY:
BPKNIGHT
COMPLETED:
10/9/2009

DESIGN FOR:
AMP

FILE NAME: A3035-2STRF	
SHEET: 2 of 10	SHEET SIZE: B



Parts List				
ITEM	QTY	PART NUMBER	DESCRIPTION	Fab Qty
1	2	0500-13-FWN	1/2"-13 UNC WELD NUT	
2	1	A3035-2STRFB	12 GA HRPO BOTTOM SECTION	
3	1	A3035FH	12 GA HRPO BAFFLE HORIZ.	
4	1	A3035-STRFL	12 GA HRPO LEFT HEAD	
5	1	A3035-STRFR	12 GA HRPO RIGHT HEAD	
6	1	A3035-STRFT	12 GA HRPO TOP SECTION	
7	1	A3035FI	12 GA HRPO BAFFLE INSERT	
8	1	AFS-301	13 GA HRPO Fill Ass'y Weld Flange	
9	1	AFF-3-1250	.50 x 7.5 O.D. HRPO Filter Flange	
10	2	ANGLE-4075IN	2 X 2 X 1/4" 40 3/4" LONG ANGLE	
11	2	SWF2000	2" NPSC STEEL WELD FLANGE	

NOTES:
 -POWDER COAT BLACK
 -APPLY RUST INHIBITOR INSIDE
 -PLUG ALL PORTS FOR SHIPMENT

AMERICAN MOBILE POWER PH: (800) 634-8265 FAX: (765) 948-3403	DRAWING BY: BPKNIGHT	DESIGN FOR: AMP	FILE NAME: A3035-2STRF	
	COMPLETED: 10/9/2009		SHEET: 3 of 10	SHEET SIZE: B